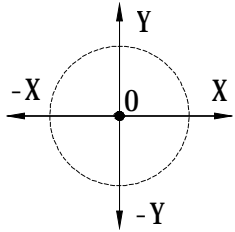
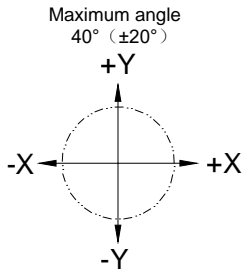


Date	Changes	REV
2024.03.19	Original	1.0

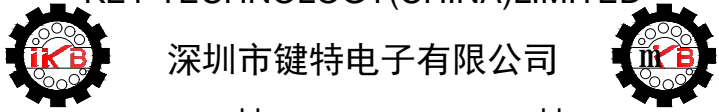
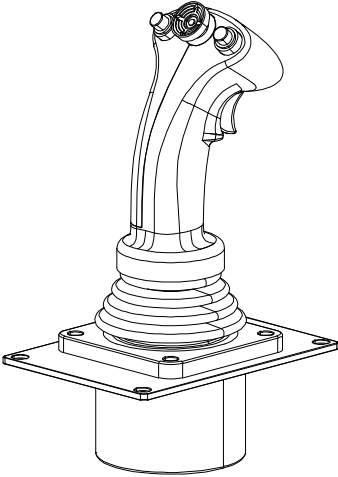
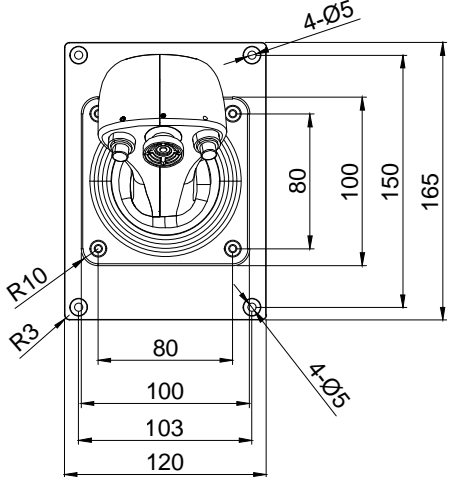
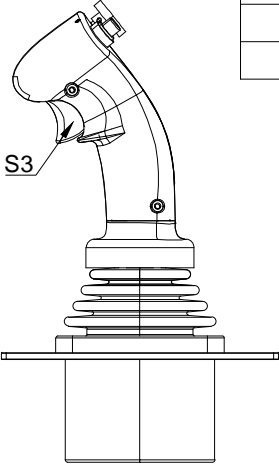
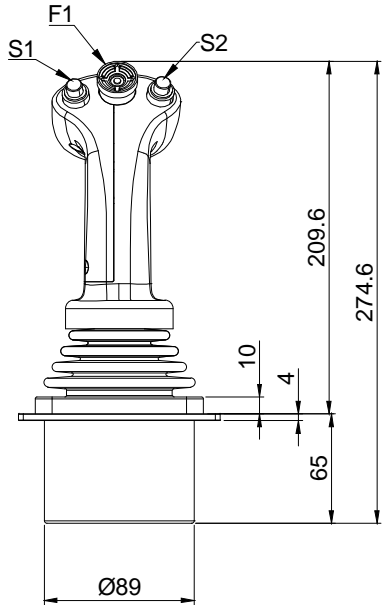


F1



Movement trajectory
Cable length: 1500±100mm

PIN definition	Color
+5VDC	red
USB +	green
USB -	white
GND	black



KEY TECHNOLOGY(CHINA)LIMITED

深圳市键特电子有限公司

www.rugged-key.com www.rugged-key.cn

Part Name				Project Name	K-TEK-GBC4-L2U3F			
Part No.				Project No.				
Material				Scale	1:5	Unit	mm	
Date	2024.03.19	Version	1.0	Tolerance	IT12	Sheet	1 of 1	
Designed	Yang Guifeng		Audited	Tony Deng		Approved		