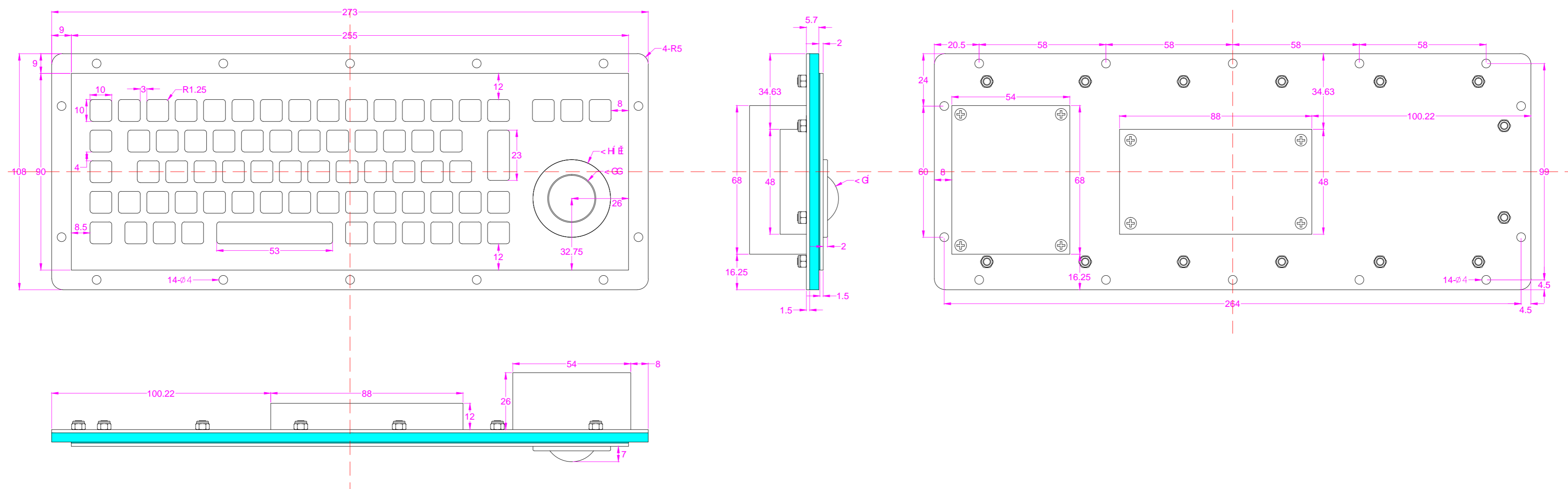


Date	Changes	REV
05.12.2018	Original	1.0



KEY TECHNOLOGY(CHINA)LIMITED

深圳市键特电子有限公司



www.key-tek.cn

www.ikb-mkb.com

Part Name				Project Name			
Part No.	K-TEK-B255-OTB-BL-DWP			Project No.			
Material				Scale	1:1	Unit	mm
Date	05.12.2018	Version	1.0	Tolerance	IT12	Sheet	1 of 1
Designed	Chen XiaoBing	Audited		Tony Deng	Approved		