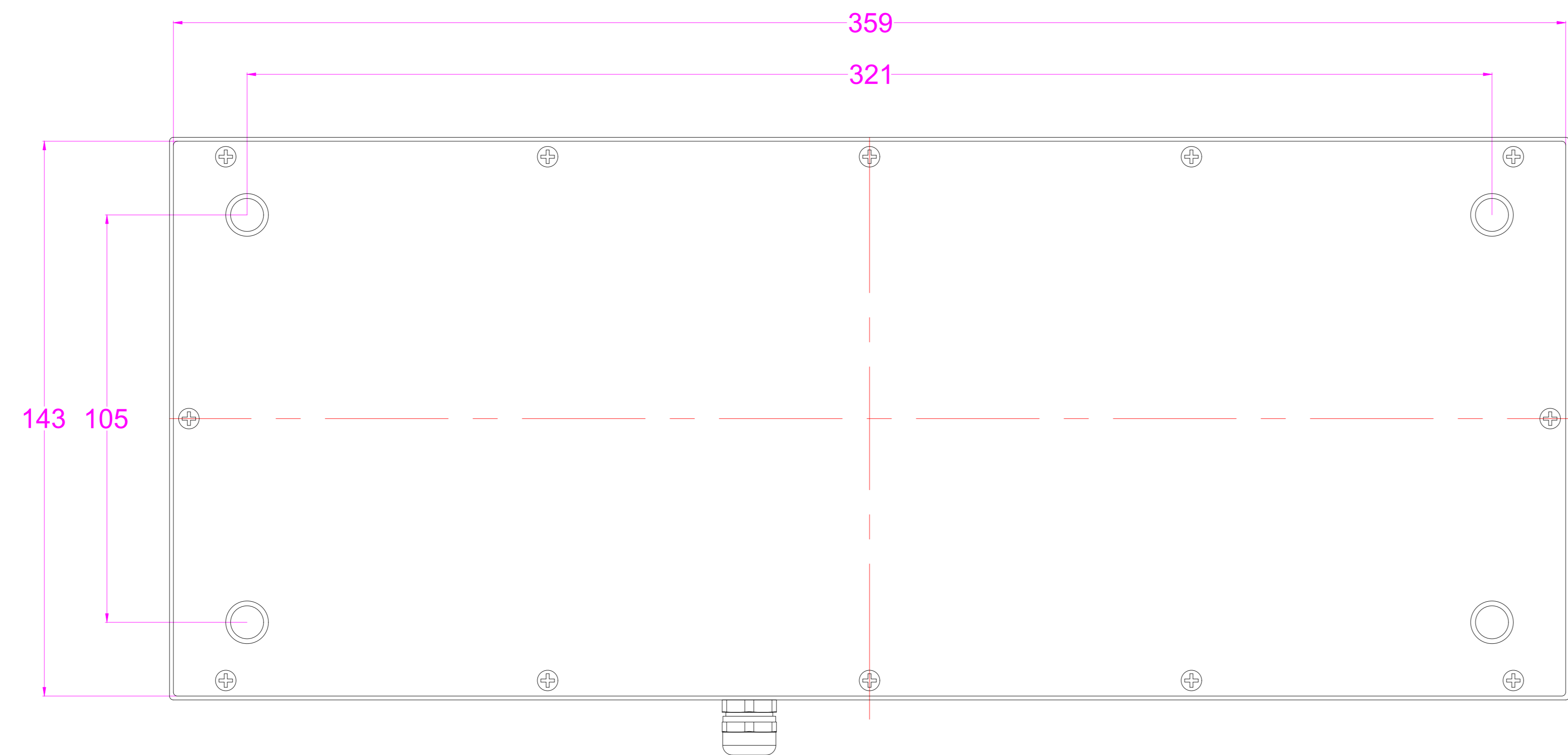
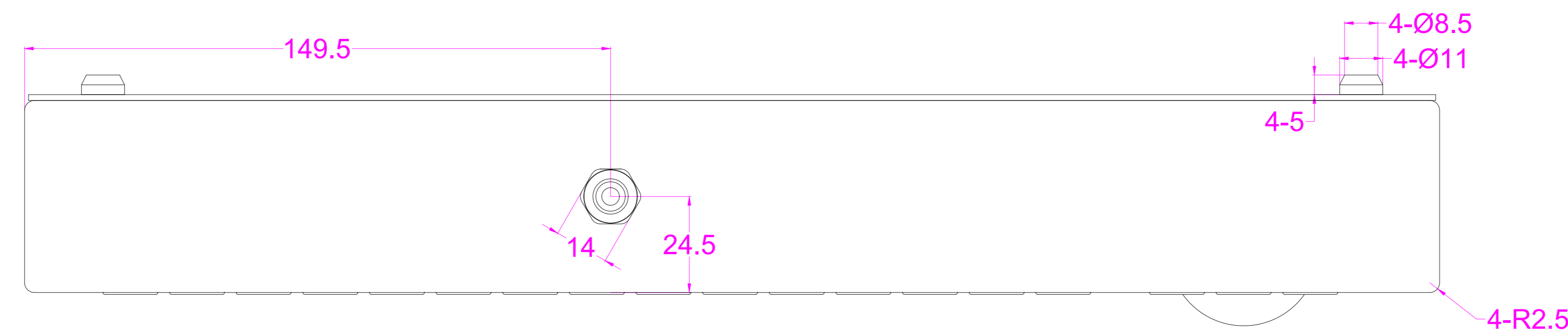
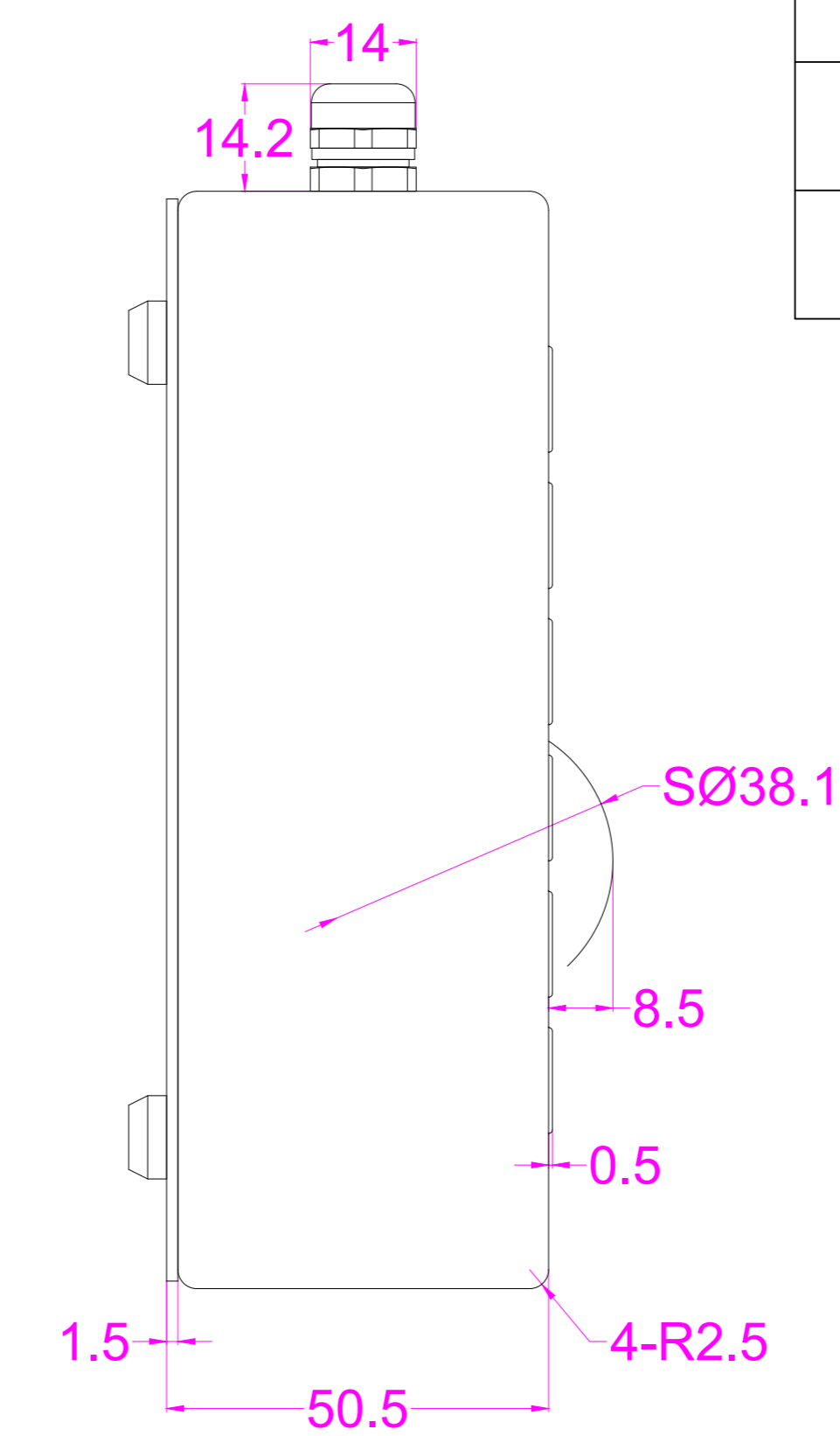
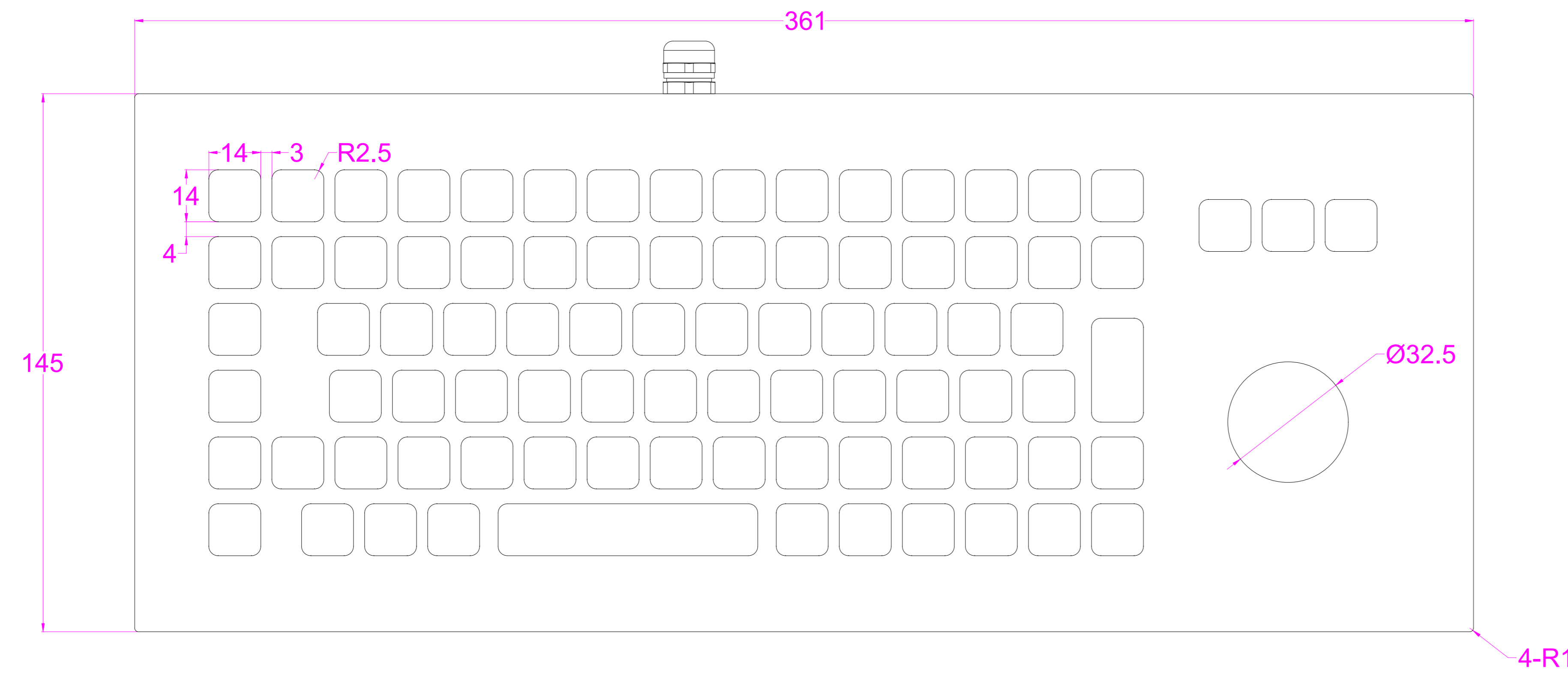


Date	Changes	REV
25.02.2021	Original	1.0



Part Name		Project Name		
Part No.		Project No.		
Material	Scale		1:1	Unit
Date	25.02.2021	Version	1.0	mm
Designed	Chen Zhenjie	Tolerance	IT12	Sheet
Audited	Tony Deng	Approved	1 of 1	