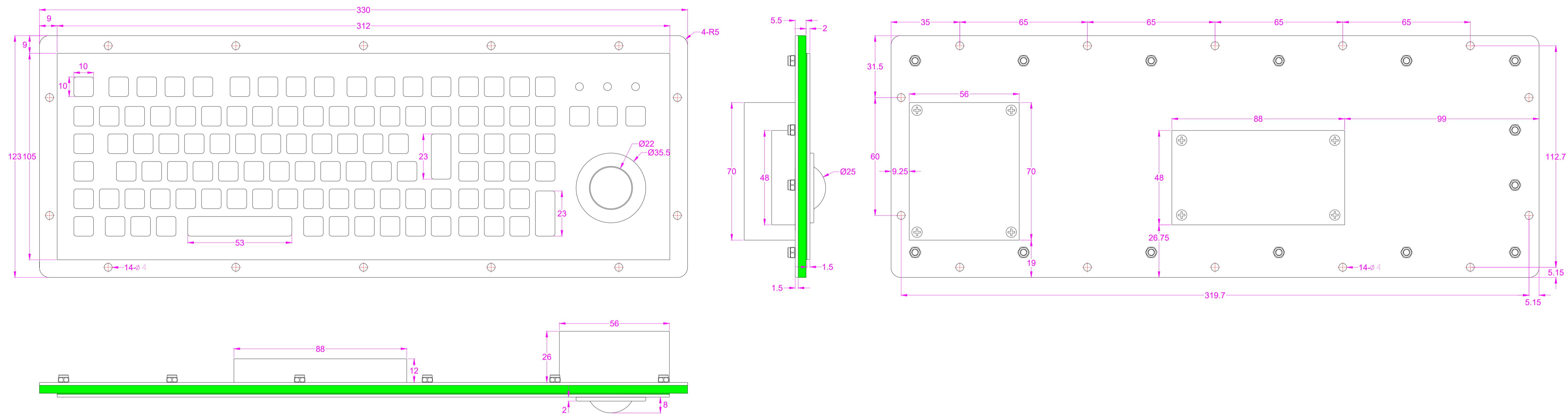
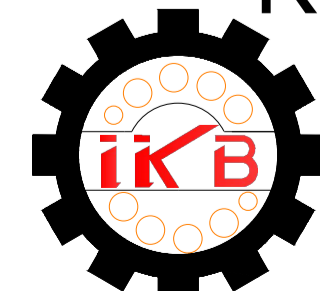
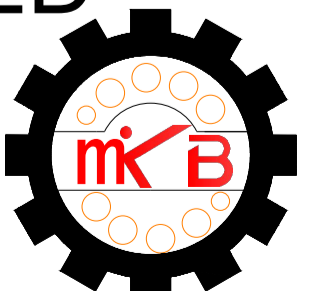


Date	Changes	REV
22.11.2018	Original	1.0




KEY TECHNOLOGY(CHINA)LIMITED
 深圳市键特电子有限公司

 www.rugged-key.com www.rugged-key.cn

Part Name				Project Name			
Part No.		K-TEK-B312-OTB-KP-FN-BL-DWP		Project No.			
Material				Scale	1:1	Unit	mm
Date	22.11.2018	Version	1.0	Tolerance	IT12	Sheet	1 of 1
Designed	Chen Xiao Bing	Audited		Tony Deng	Approved		