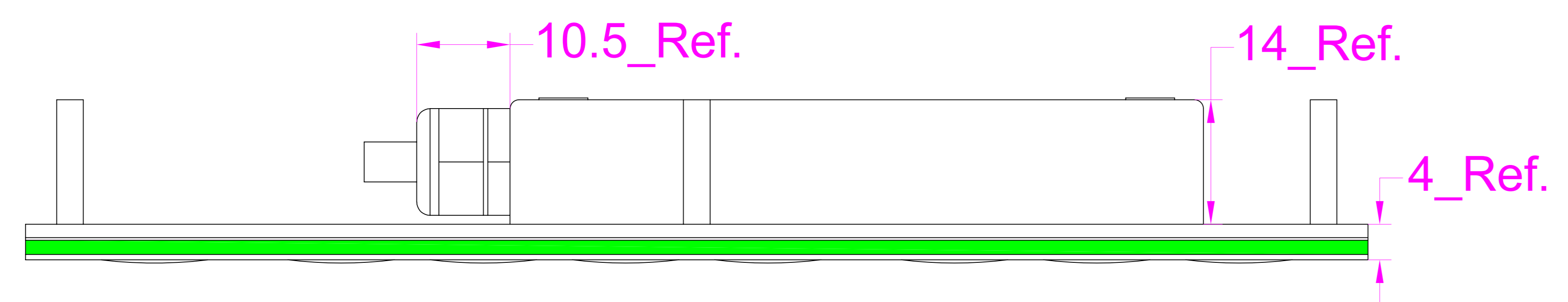
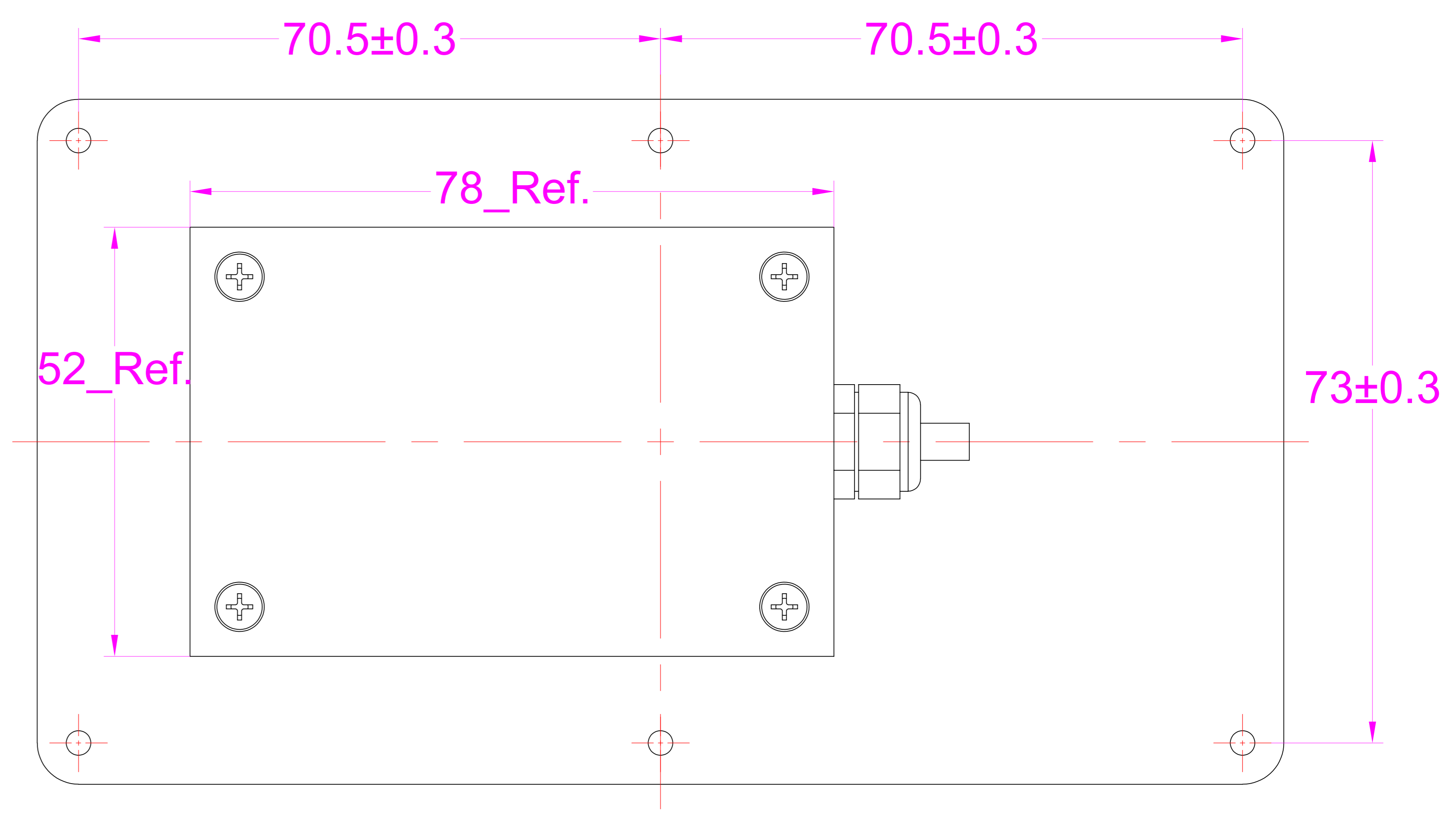
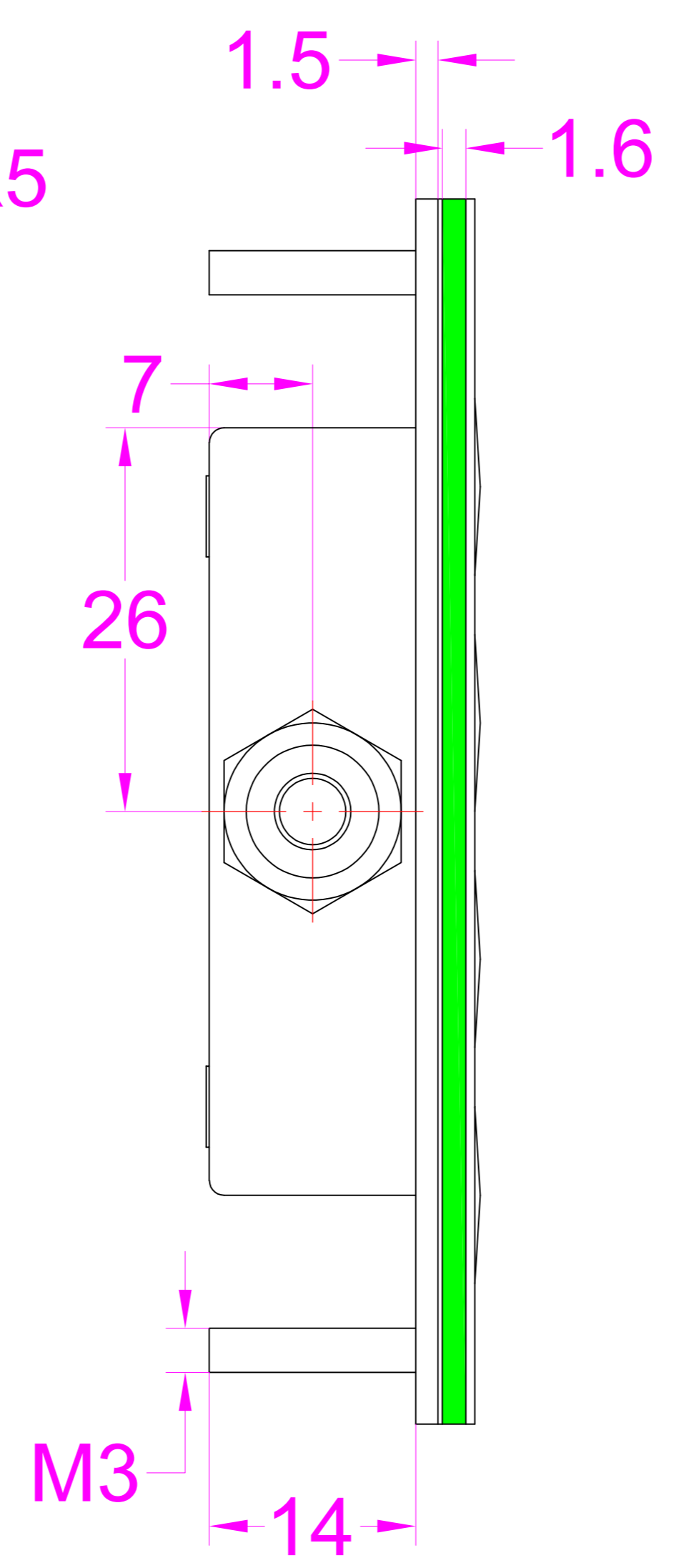
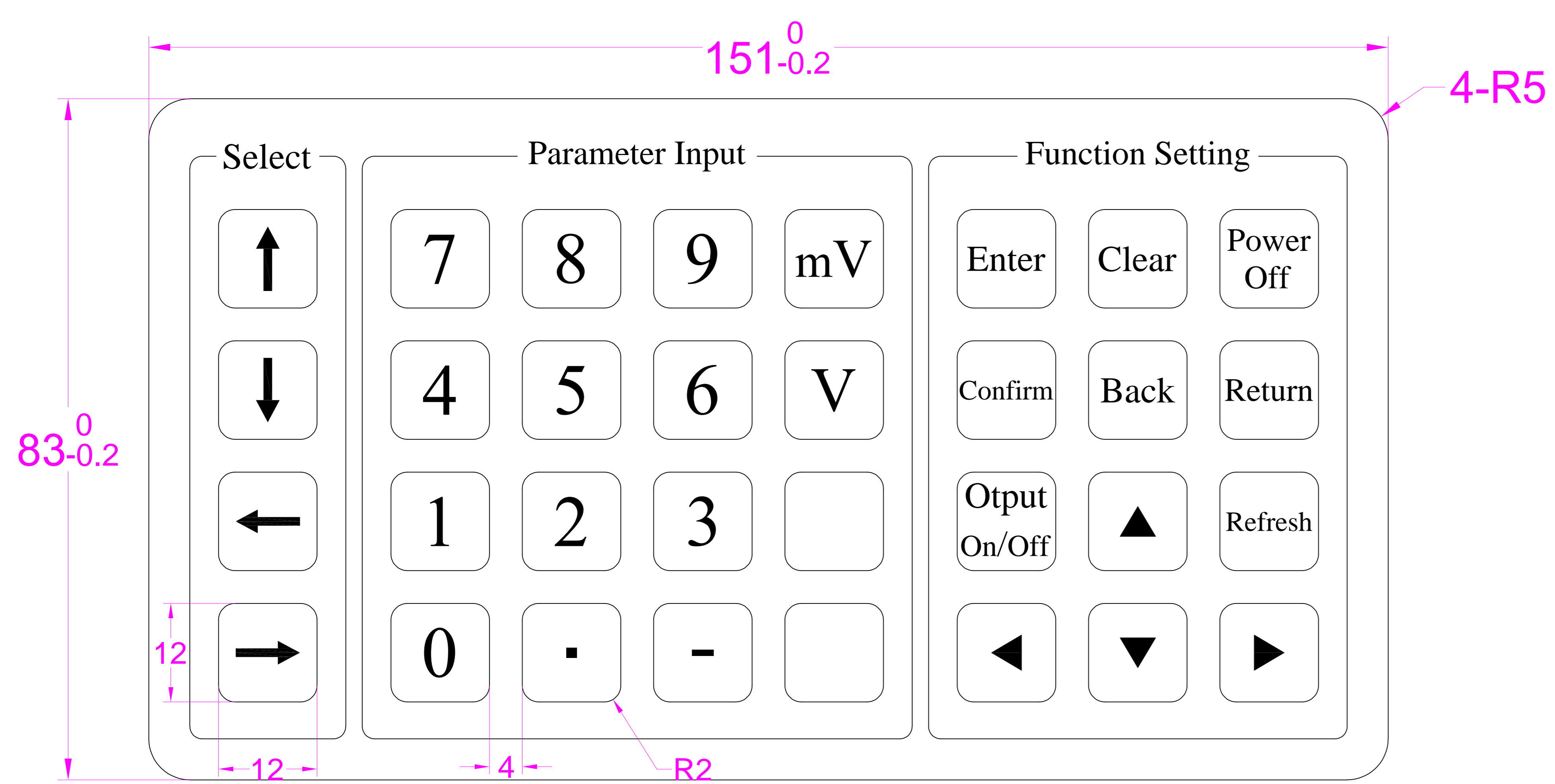


Date	Changes	REV
2025.03.04	Original	1.0



Part Name	K-TEK-D83KP-32-ML			Project Name			
Part No.				Project No.			
Material				Scale	1:1	Unit	mm
Date	2025.03.04	Version	1.0	Tolerance		Sheet	1 of 1
Designed	Luo Chuanjian	Audited		Tony Deng	Approved		