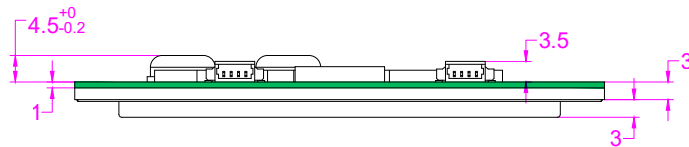
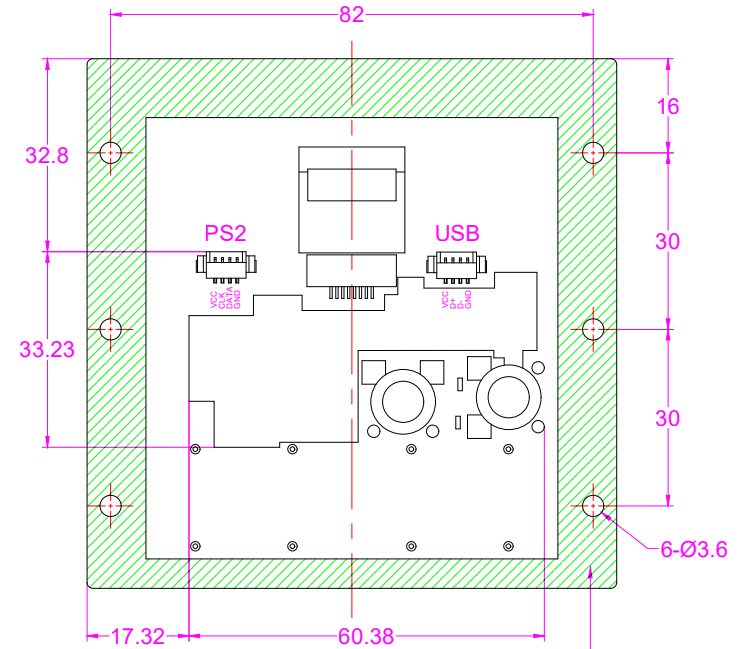
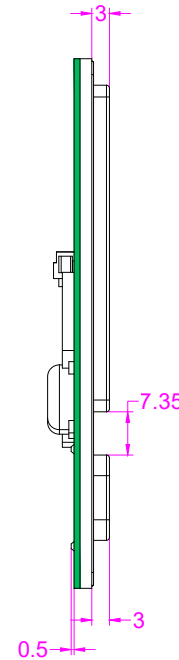
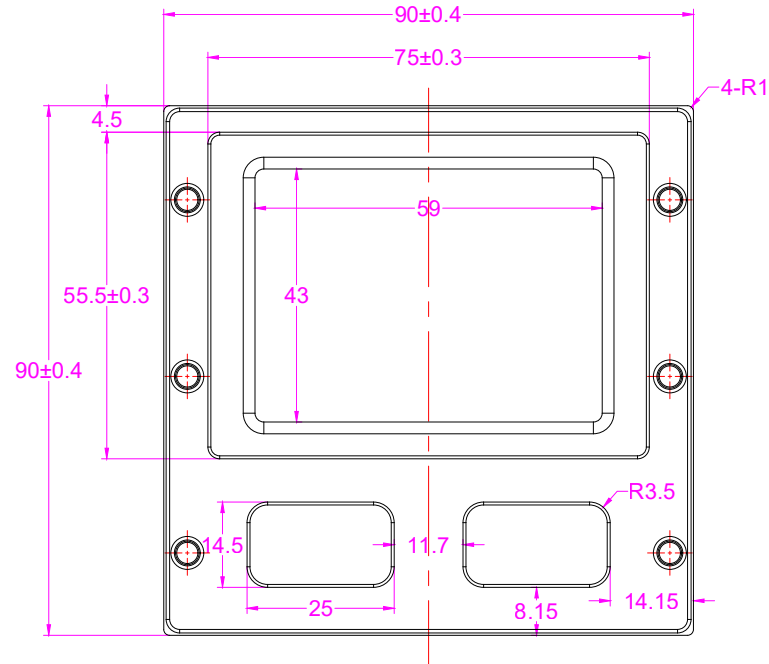


Date	Changes	REV
2024.06.17	Original	1.0



KEY TECHNOLOGY(CHINA)LIMITED

深圳市键特电子有限公司

www.rugged-key.com www.rugged-key.cn



Part Name	K-TEK-M90TP-NV-151B-SW			Project Name				
Part No.	K-TEK-M90TP-NV-151B-SW			Project No.				
Material				Scale	1:1	Unit	mm	
Date	2024.06.17	Version	1.0	Tolerance		Sheet	1 of 1	
Designed	Luo Chuanjian	Audited		Tony Deng	Approved			