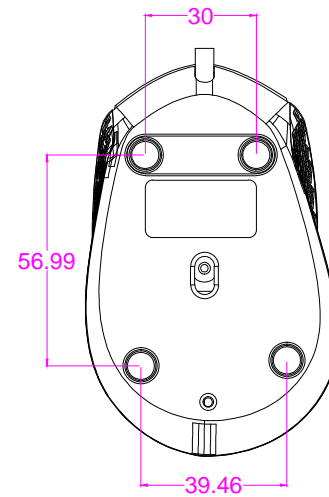
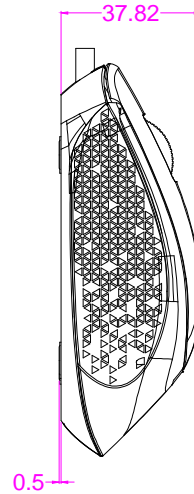
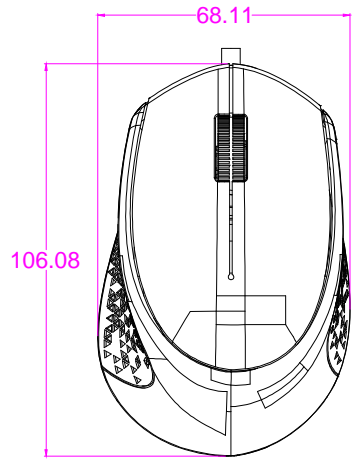
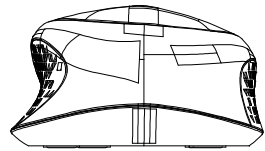


Date	Changes	REV
2023.08.11	Original	1.0



KEY TECHNOLOGY(CHINA)LIMITED

深圳市键特电子有限公司

www.rugged-key.com www.rugged-key.cn



Part Name				Project Name				
Part No.	K-TEK-M106-OMS-DT			Project No.				
Material				Scale	1:1	Unit	mm	
Date	2023.08.11	Version	1.0	Tolerance	IT12	Sheet	1 of 1	
Designed	Cen ZhiQiu	Audited		Tony Deng	Approved			