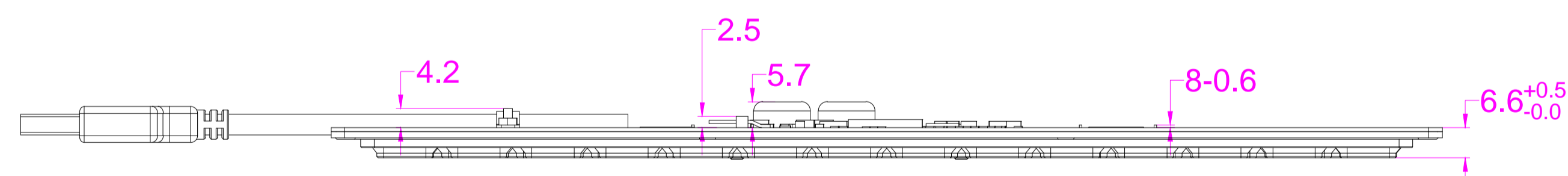
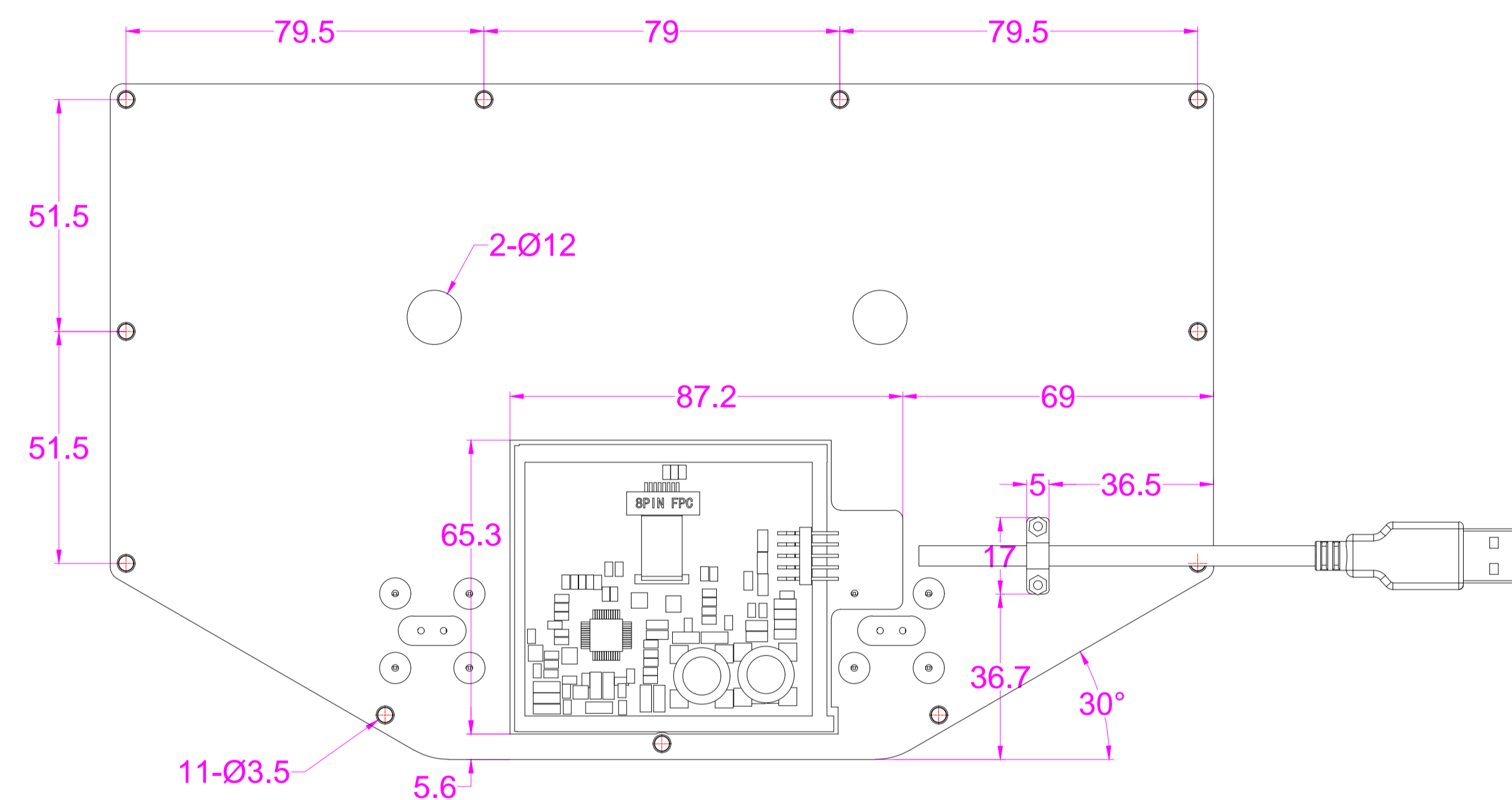
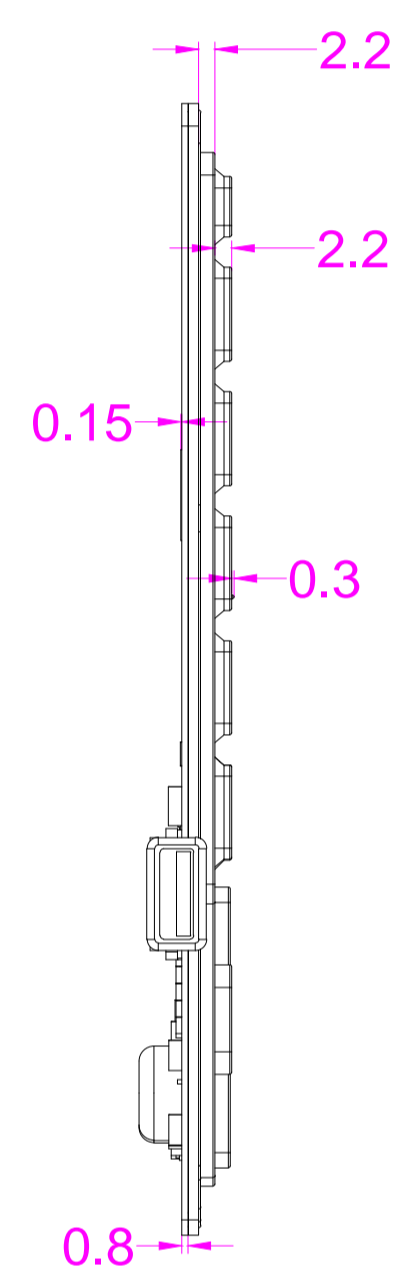
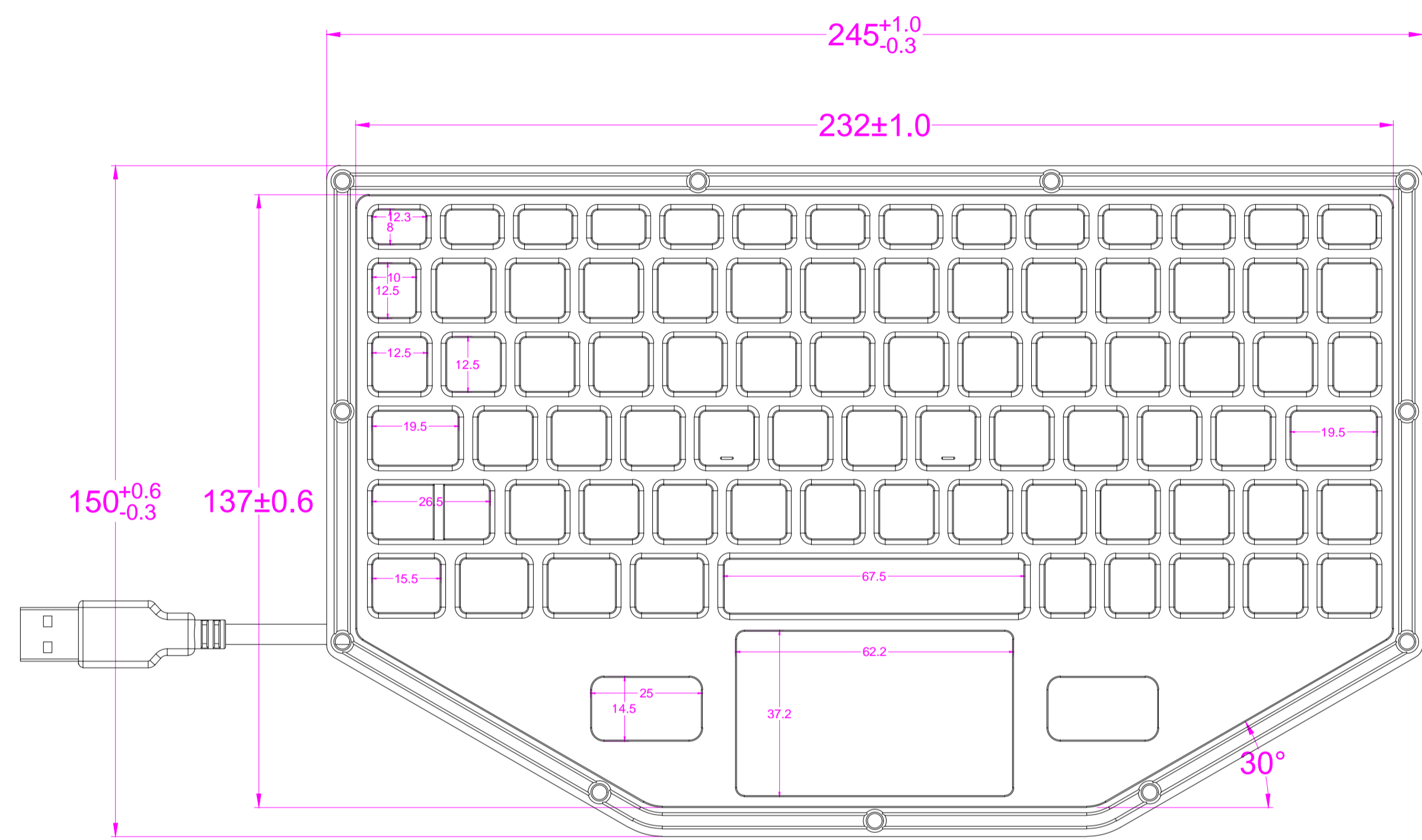
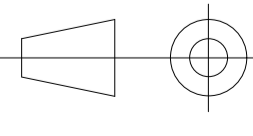


Date	Changes	REV
2025.05.20	Original	1.0



Part Name				Project Name	K-TEK-M232TP-FN-BL-ANA-151B			
Part No.				Project No.				
Material				Scale	1:1	Unit	mm	
Date	2025.05.20	Version	1.0	Tolerance		Sheet	1 of 1	
Designed	Yang guifeng	Audited		Tony Deng	Approved			