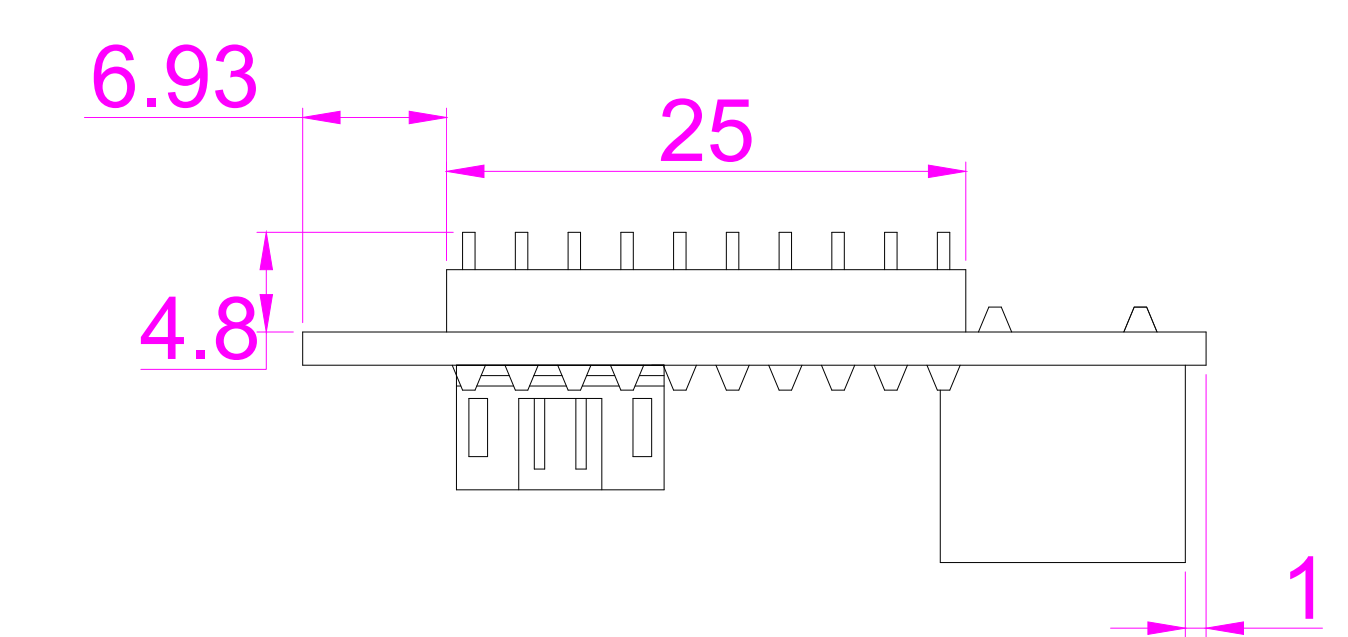
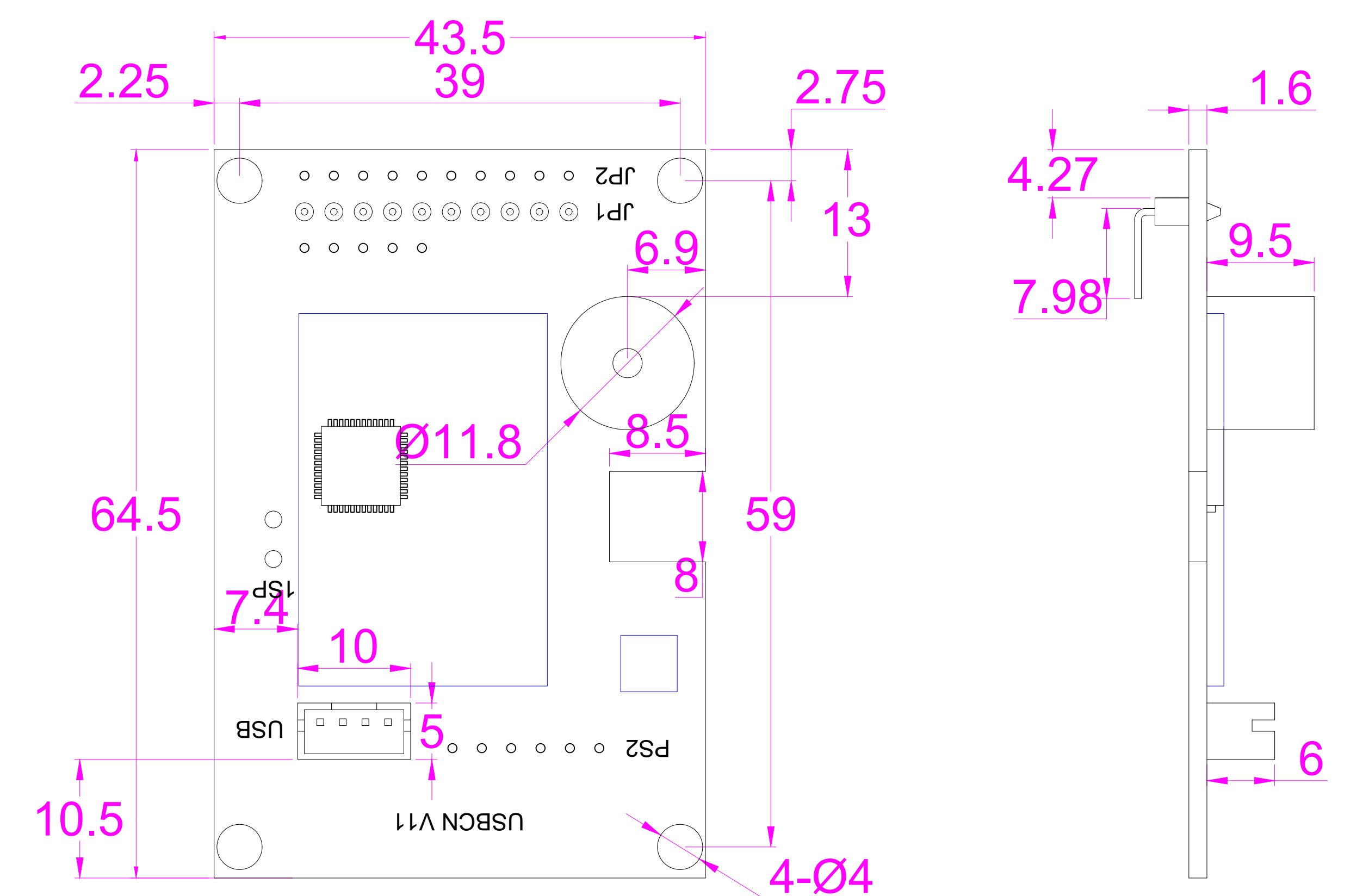
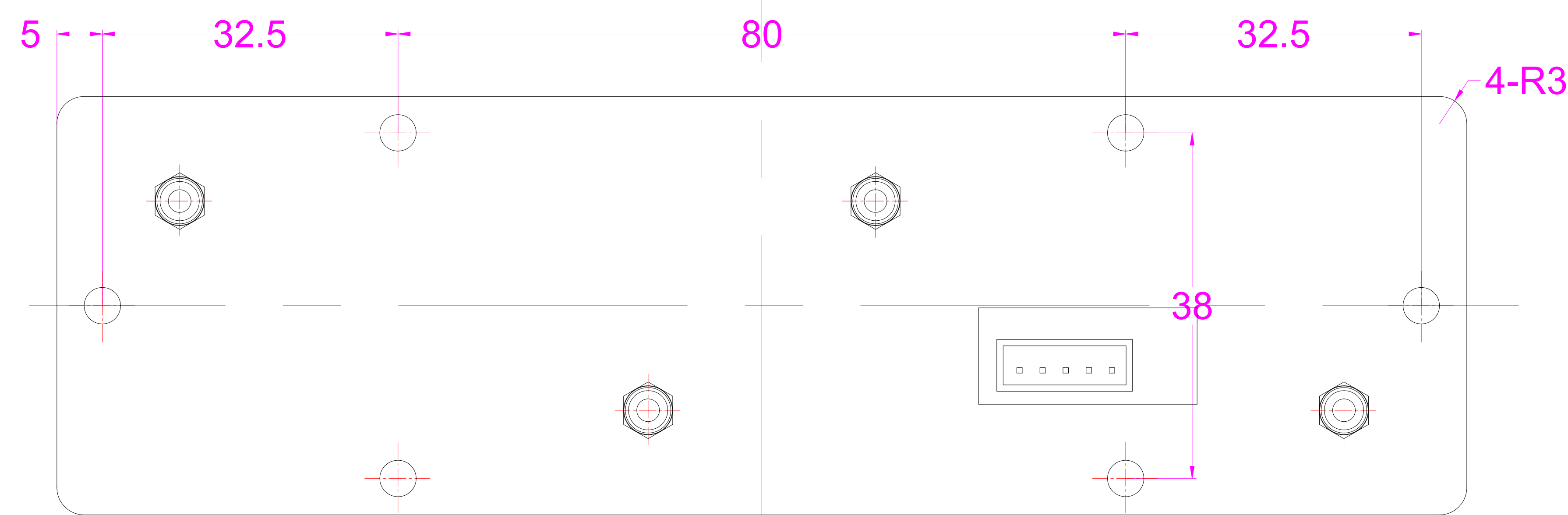
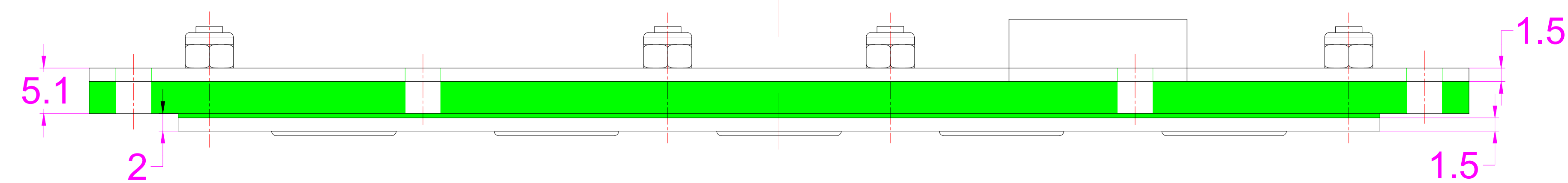
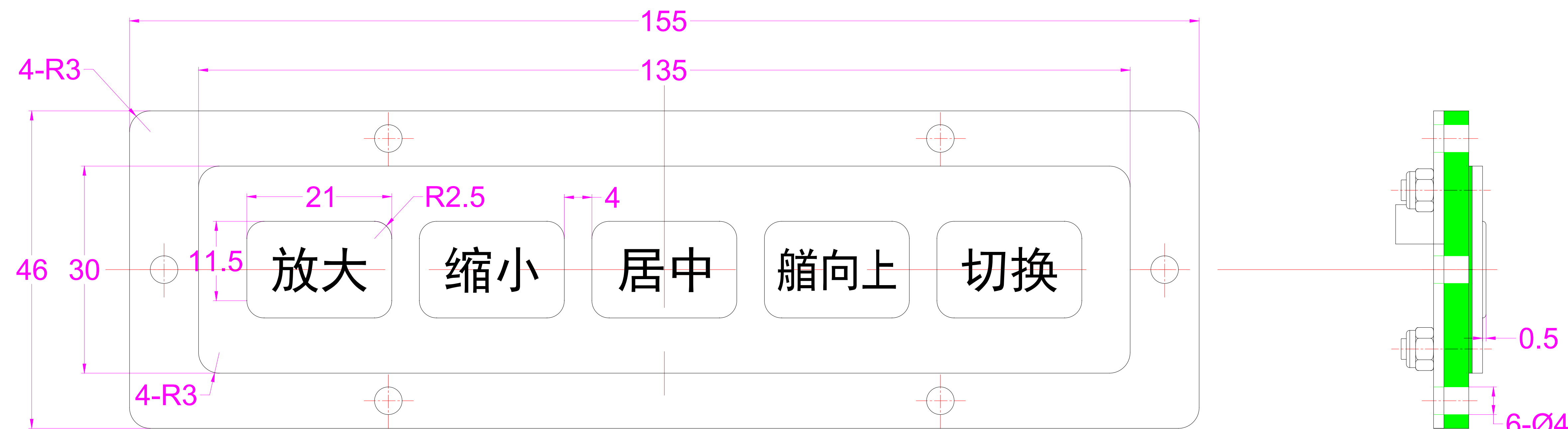


Date	Changes	REV
03.08.2021	Original	1.0



控制板

Part Name				Project Name				
Part No.	K-TEK-B135-30FK-5-DWP_含键面			Project No.				
Material				Scale	1:1	Unit	mm	
Date	03.08.2021	Version	1.0	Tolerance	IT12	Sheet	1 of 1	
Designed	Chen Zhenjie	Audited		Tony Deng	Approved			