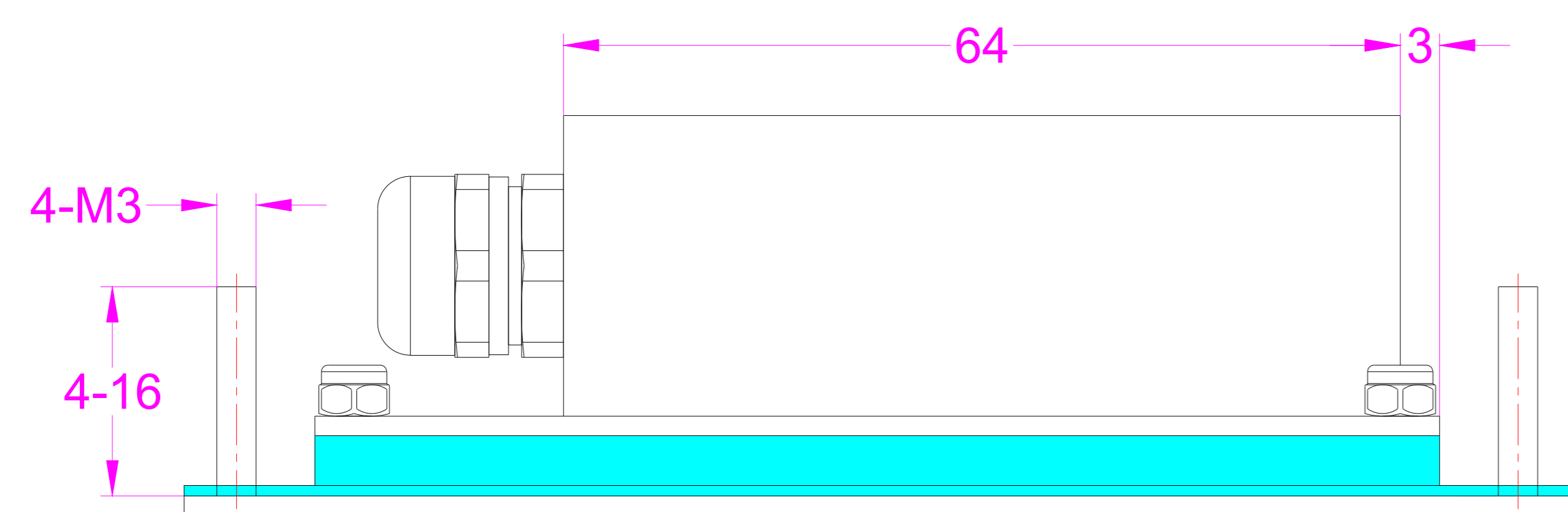
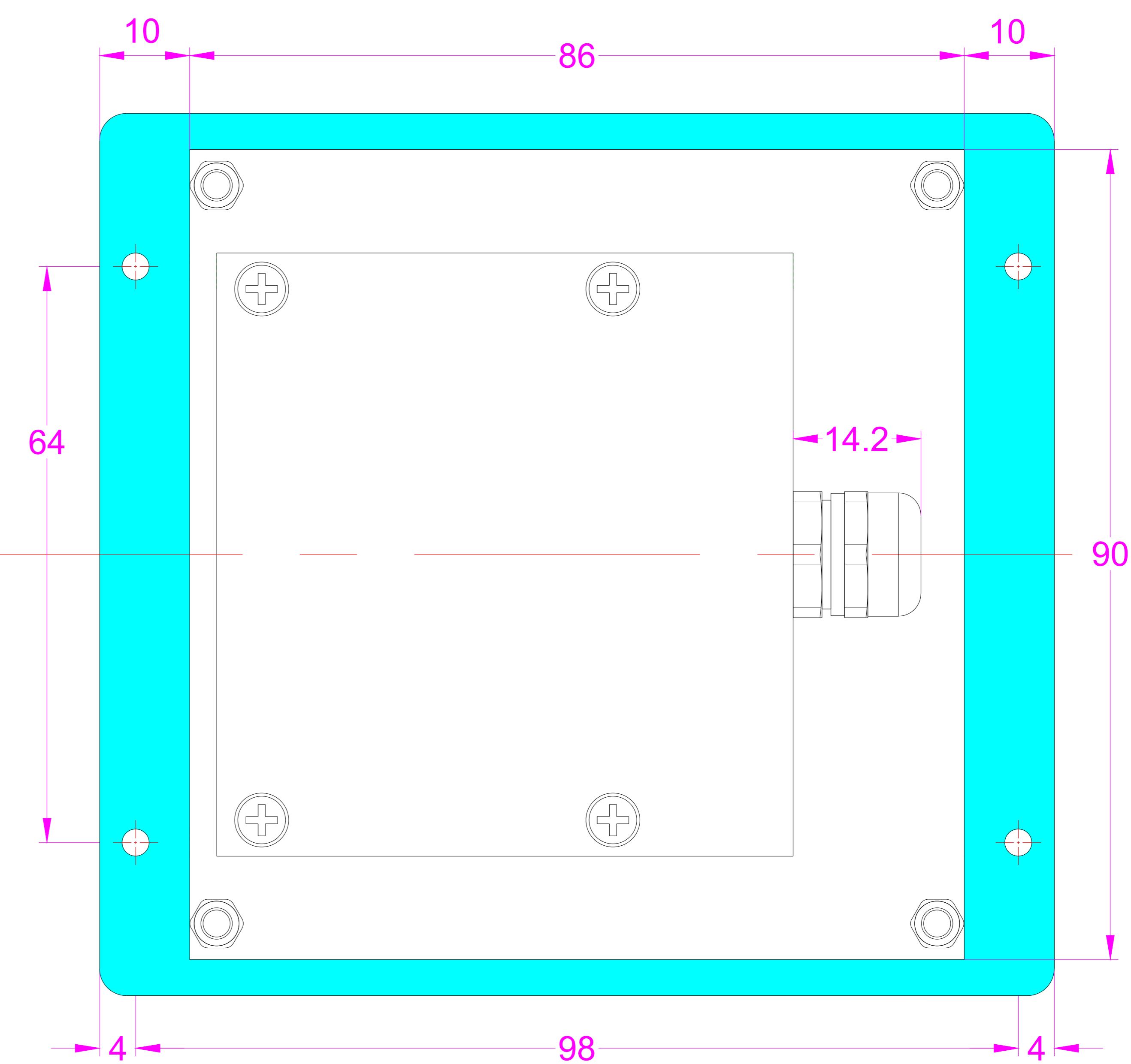
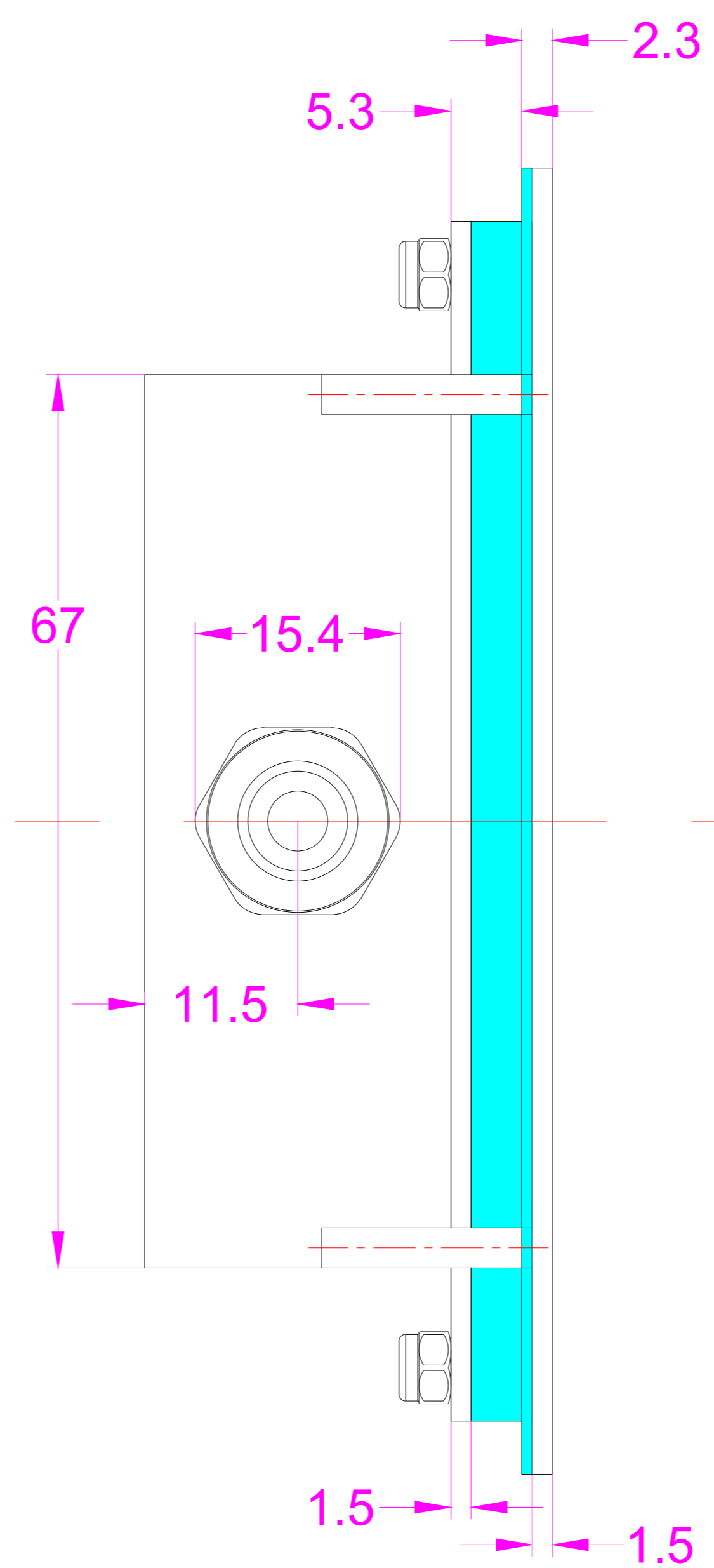
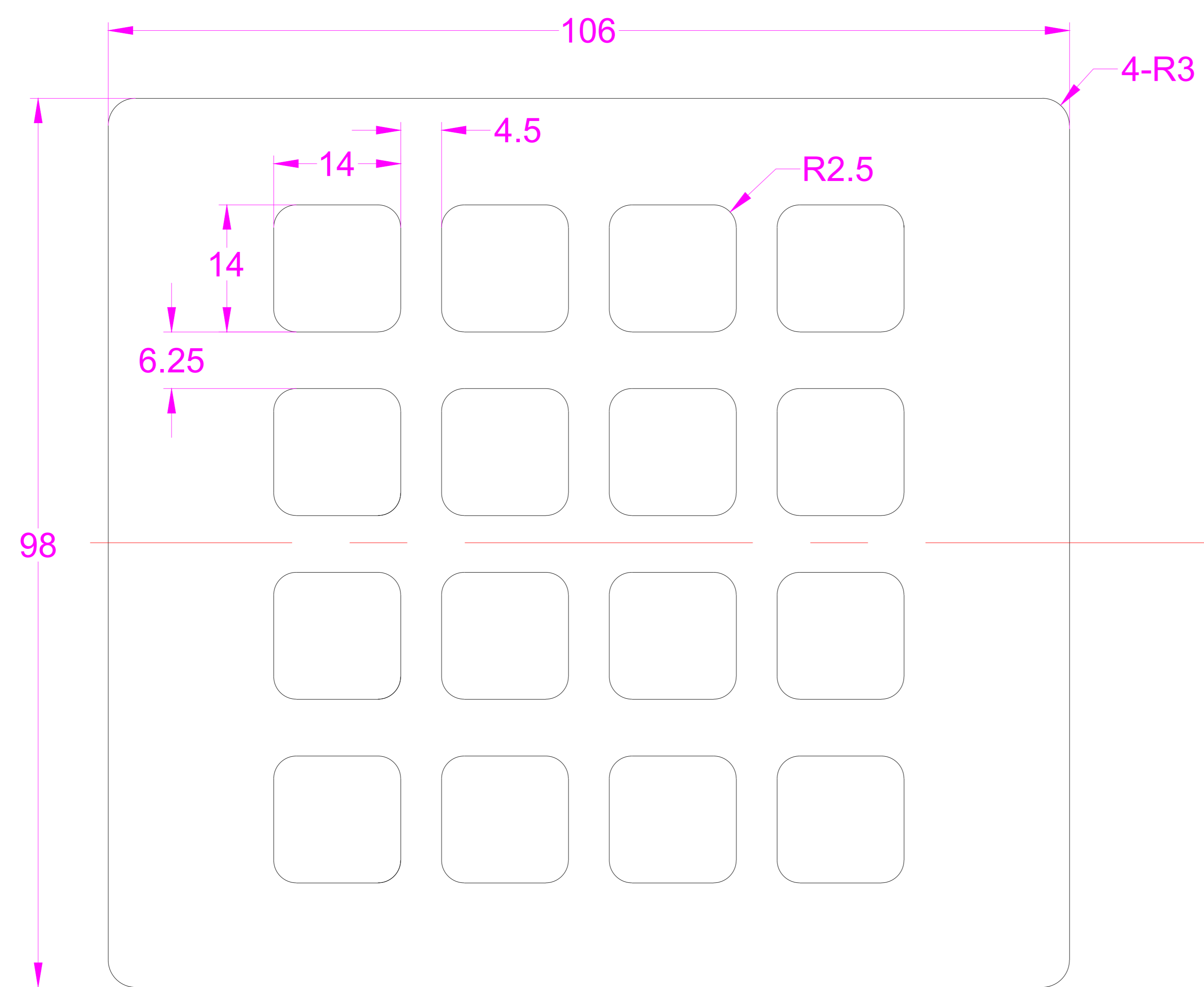


Date	Changes	REV
26.9.2018	Original	1.0



Part Name				Project Name			
Part No.	K-TEK-B86KP-16-DWP			Project No.			
Material				Scale	1:1	Unit	mm
Date	26.9.2018	Version	1.0	Tolerance	IT12	Sheet	1 of 1
Designed	Chen XiaoBing	Audited		Tony Deng	Approved		