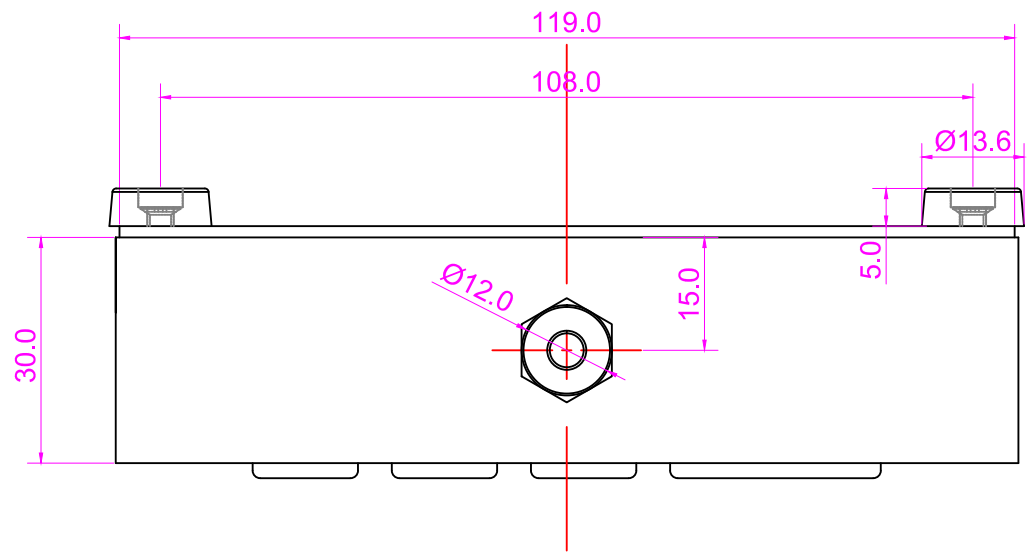
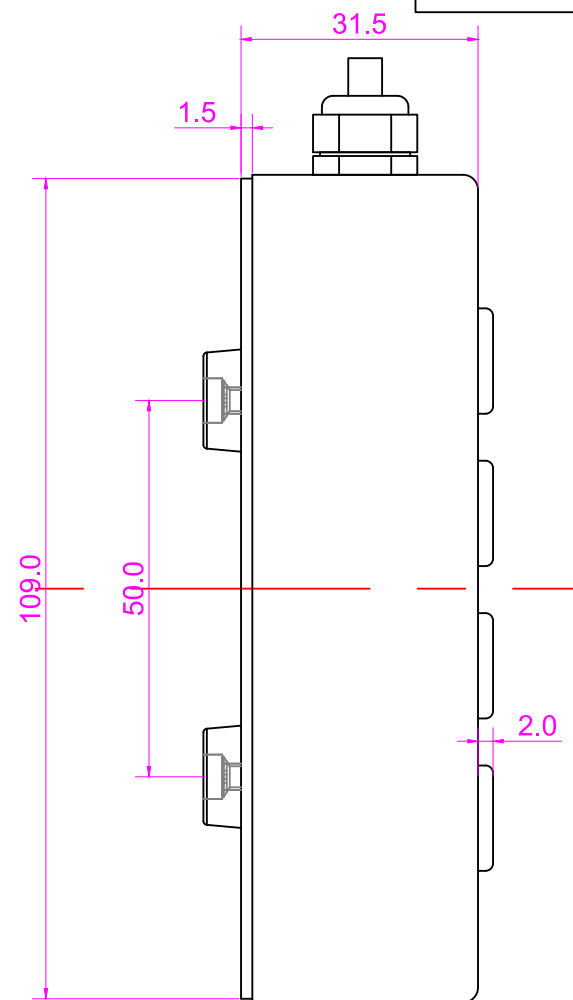
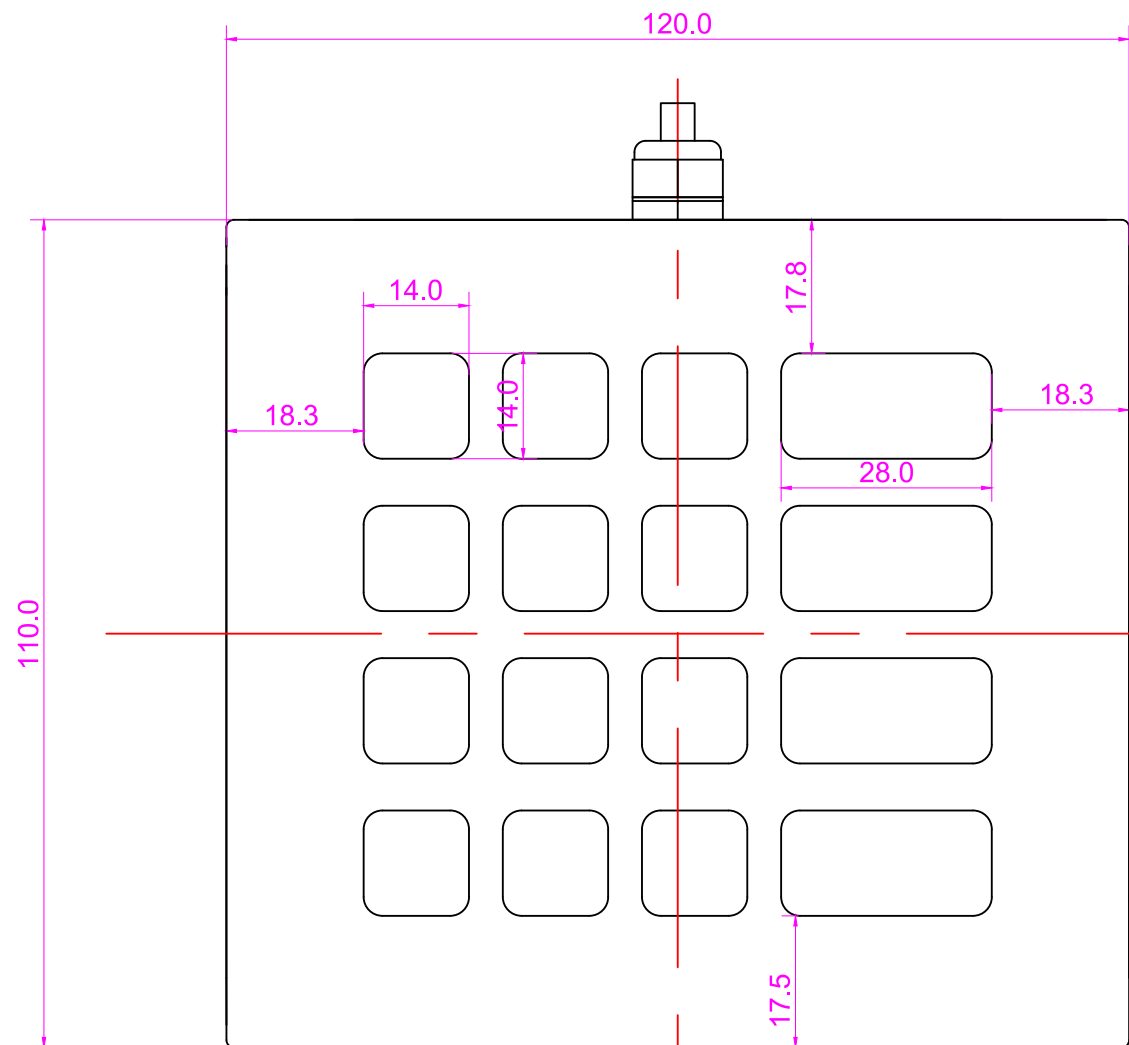


Date	Changes	REV
2018.09.29	Original	1.0



Part Name		Project Name	
Part No. K-TEK-A120KP-BL-DT-DWP		Project No.	
Material SUS304 Stainless steel		Scale 1:1	Unit mm
Date 2018.09.29	Version 1.0	Tolerance IT12	Sheet 1 of 1
Designed Yan Wei	Audited	Chen Xiaobing	Approved Tony Deng