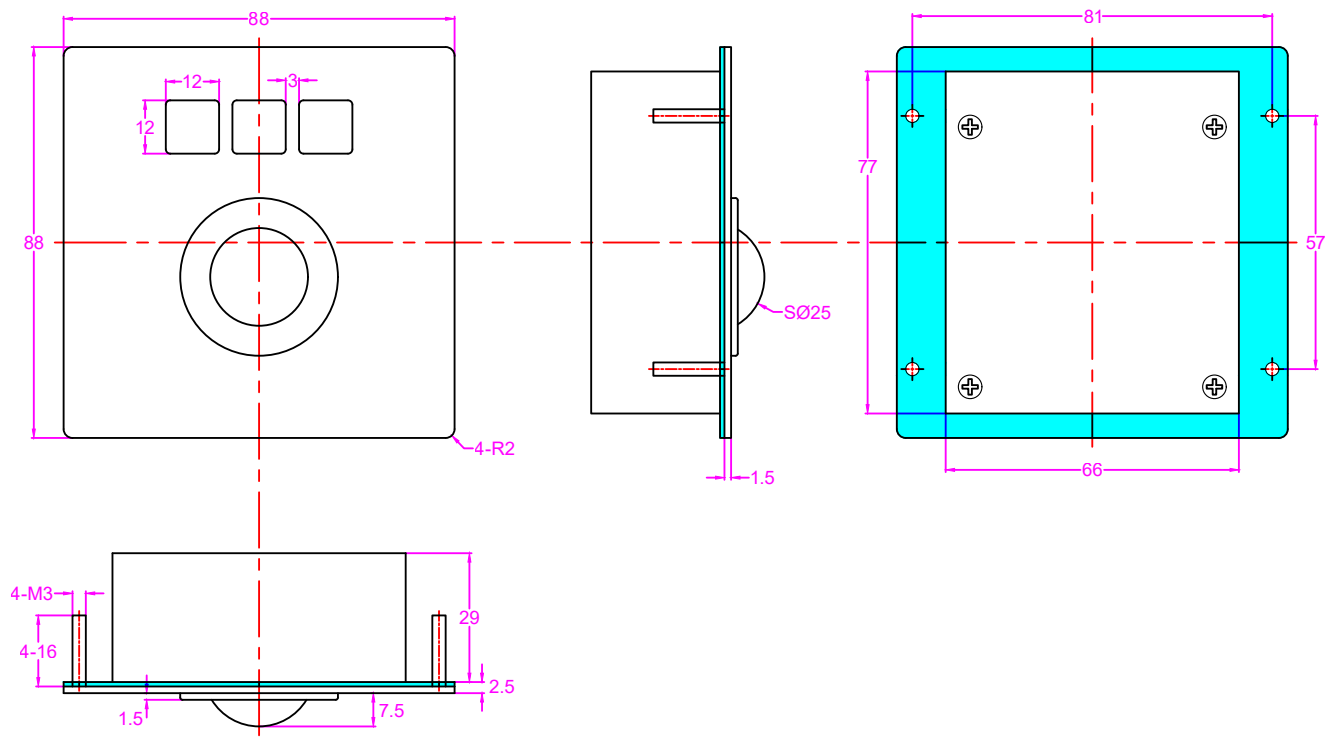


Date	Changes	REV
29.04.2020	Original	1.0



KEY TECHNOLOGY(CHINA)LIMITED

深圳市键特电子有限公司

www.key-tek.cn www.ikb-mkb.com



Part Name	K-TEK-B88-25-OTB-BT-DWP			Project Name			
Part No.	K-TEK-B88-25-OTB-BT-DWP			Project No.			
Material				Scale	1:1	Unit	mm
Date	29.04.2020	Version	1.0	Tolerance	IT12	Sheet	1 of 1
Designed	Chen XiaoBing	Audited		Tony Deng	Approved		

