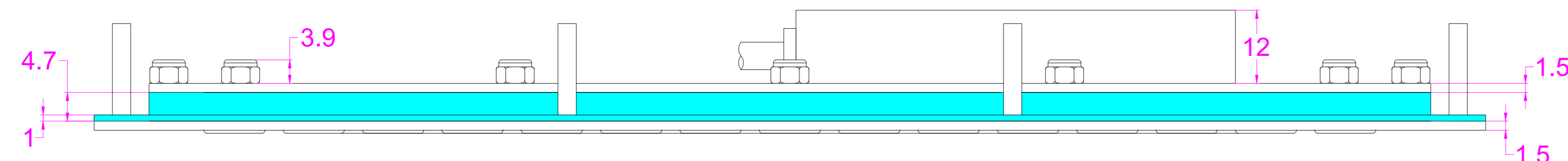
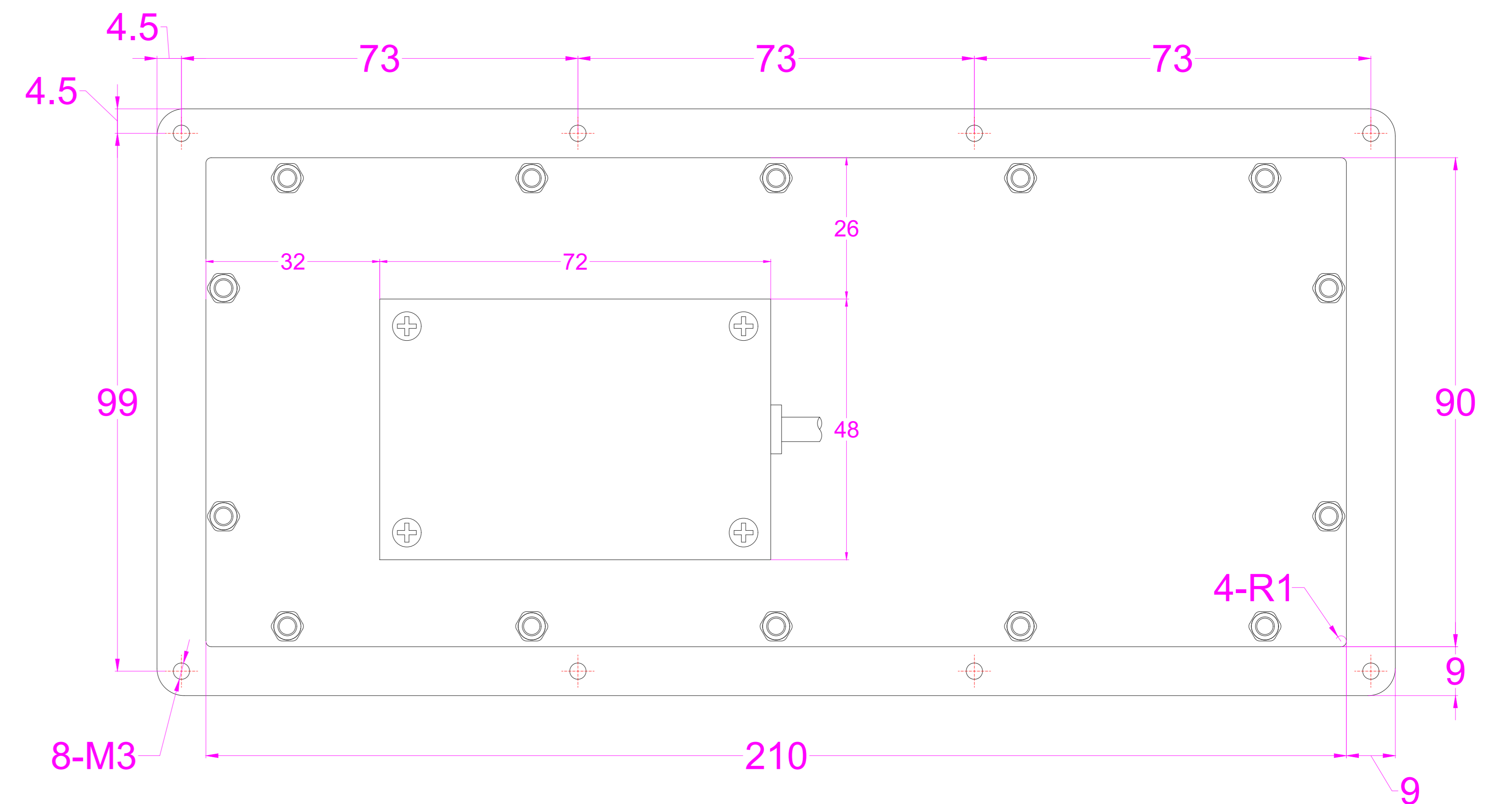
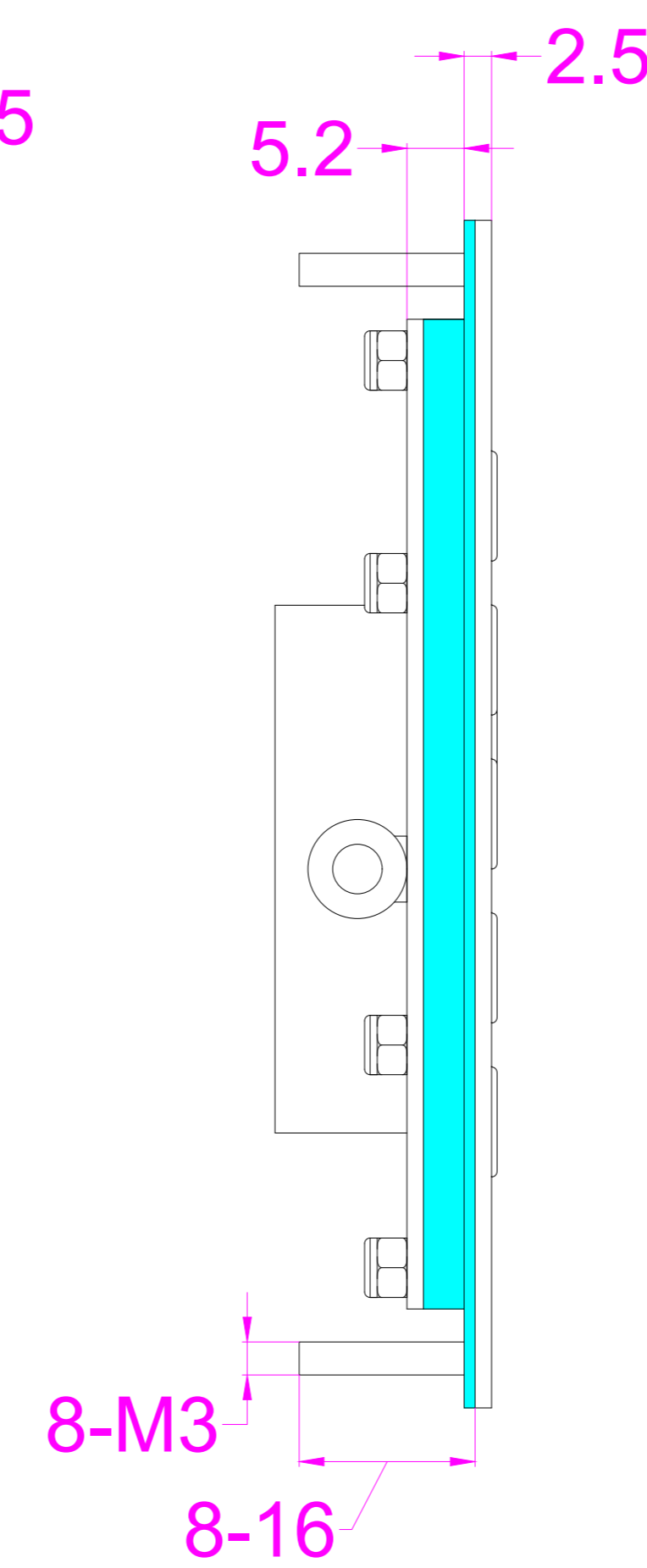
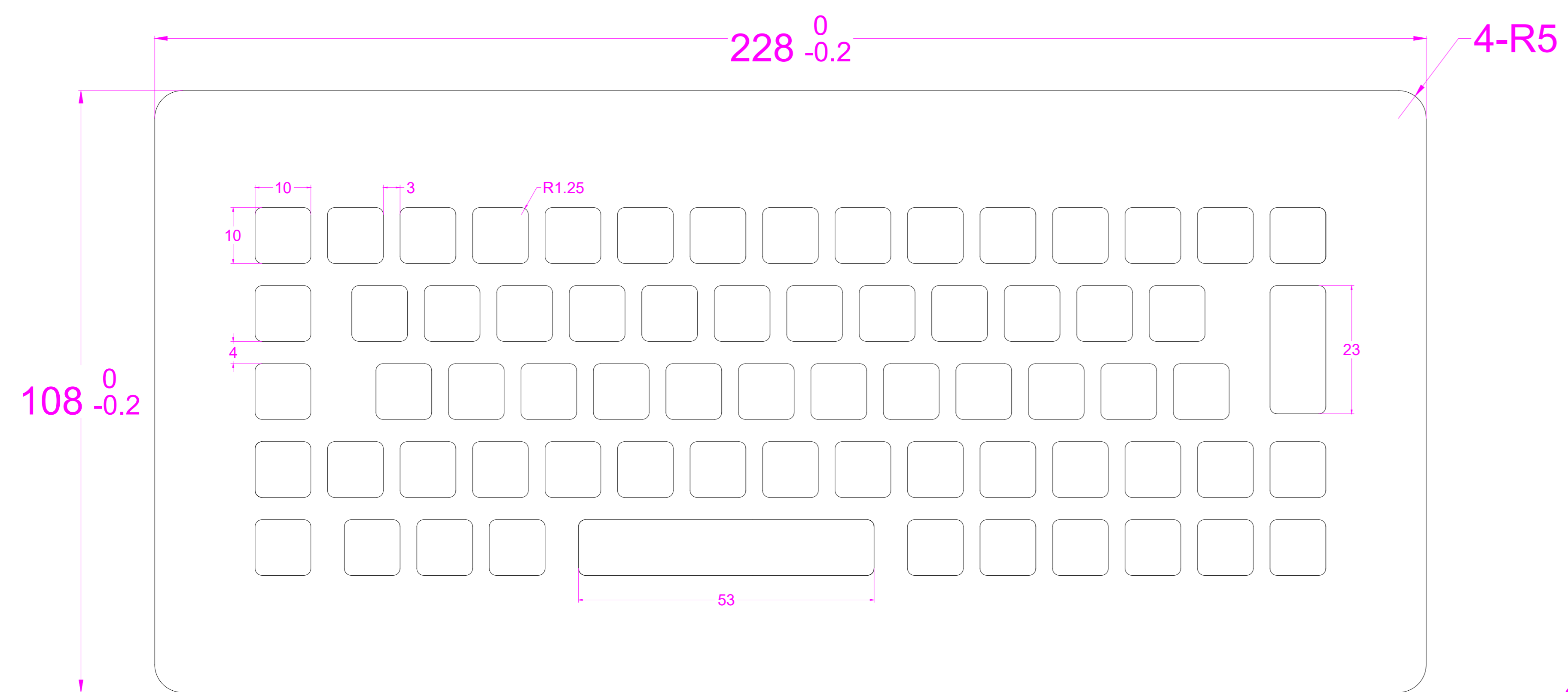
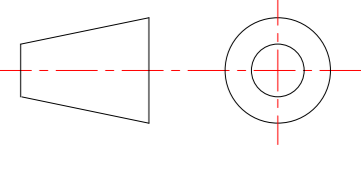


Date	Changes	REV
18.02.2022	Original	1.0



Part Name	K-TEK-B228-UT-DWP			Project Name				
Part No.				Project No.				
Material				Scale	1:1	Unit	mm	
Date	18.02.2022	Version	1.0	Tolerance	IT12	Sheet	1 of 1	
Designed	Chen Zhenjie	Audited		Tony Deng	Approved			