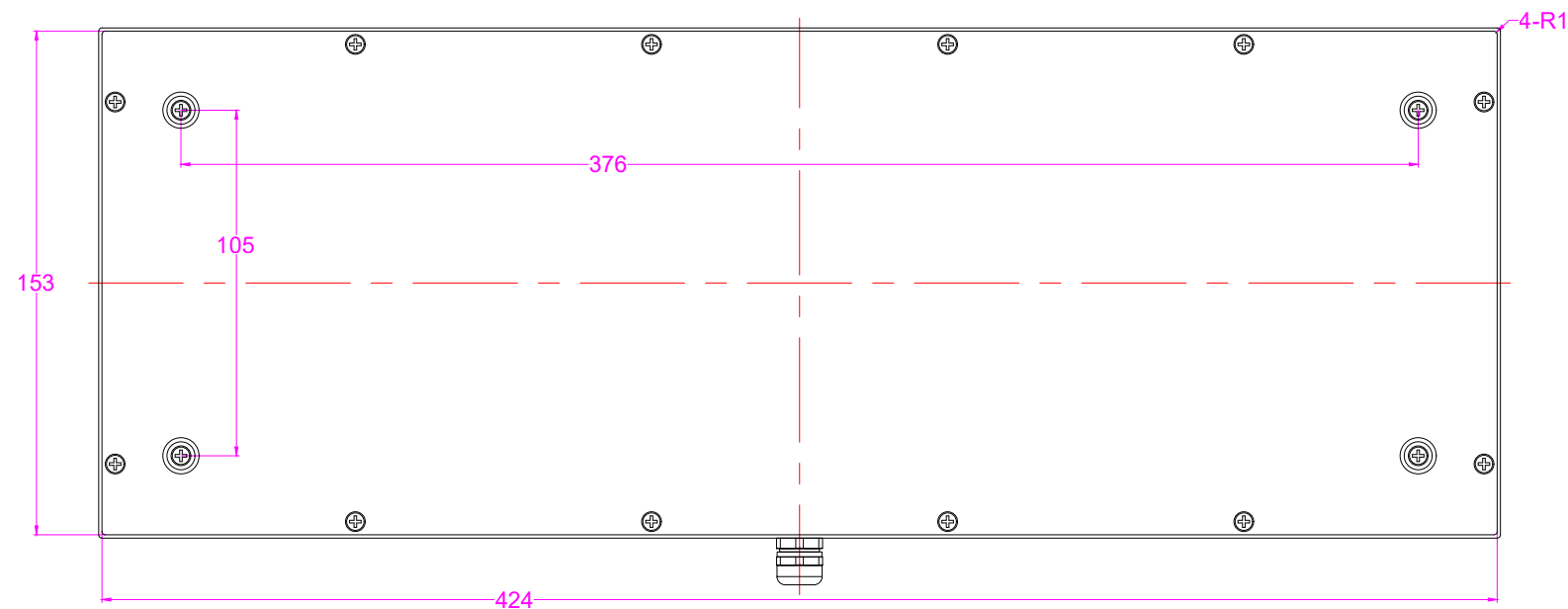
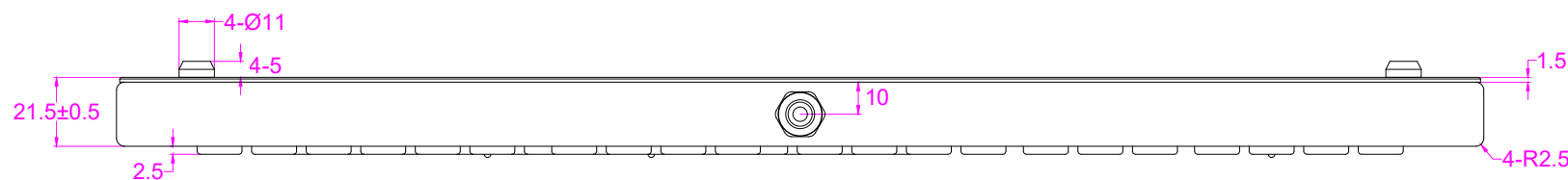
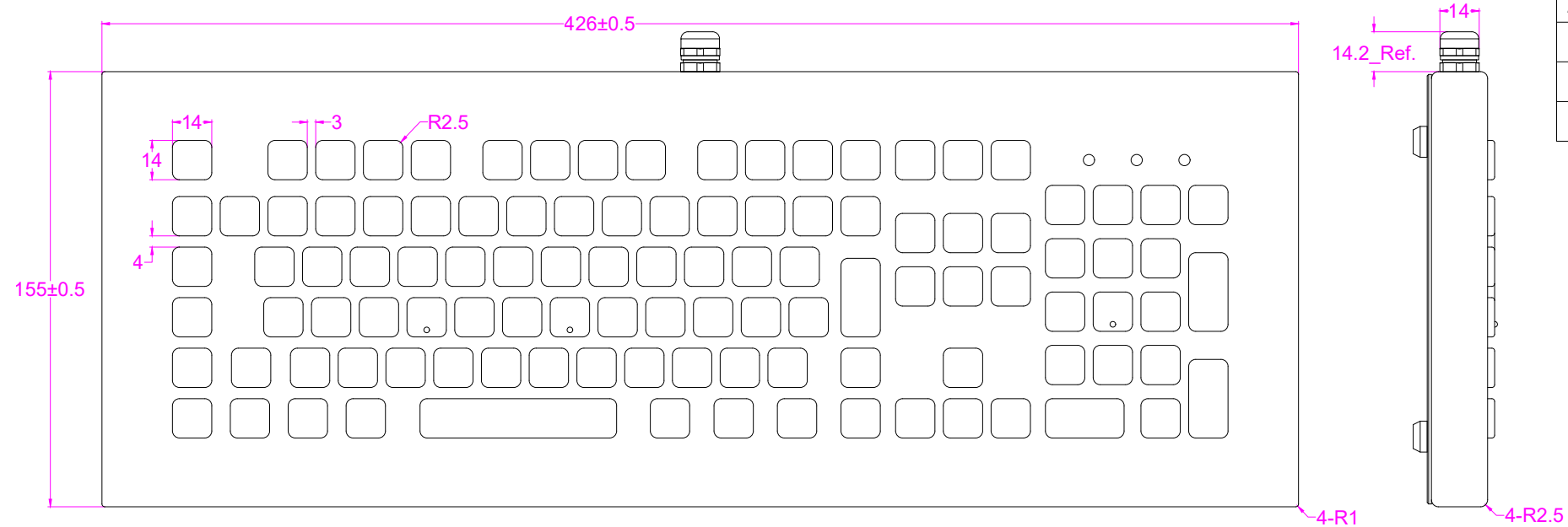




Date	Changes	REV
2022.12.29	Original	1.0




KEY TECHNOLOGY(CHINA)LIMITED
 深圳市键特电子有限公司
www.rugged-key.com www.rugged-key.cn


Part Name		Project Name	
Part No. K-TEK-A396KP-FN-DT-DWP		Project No.	
Material		Scale	1:1 Unit mm
Date	2022.12.29	Tolerance	IT12 Sheet 1 of 1
Version	1.0	Designed Tony Deng	
Designed	Chen Xiaobing	Audited Approved	