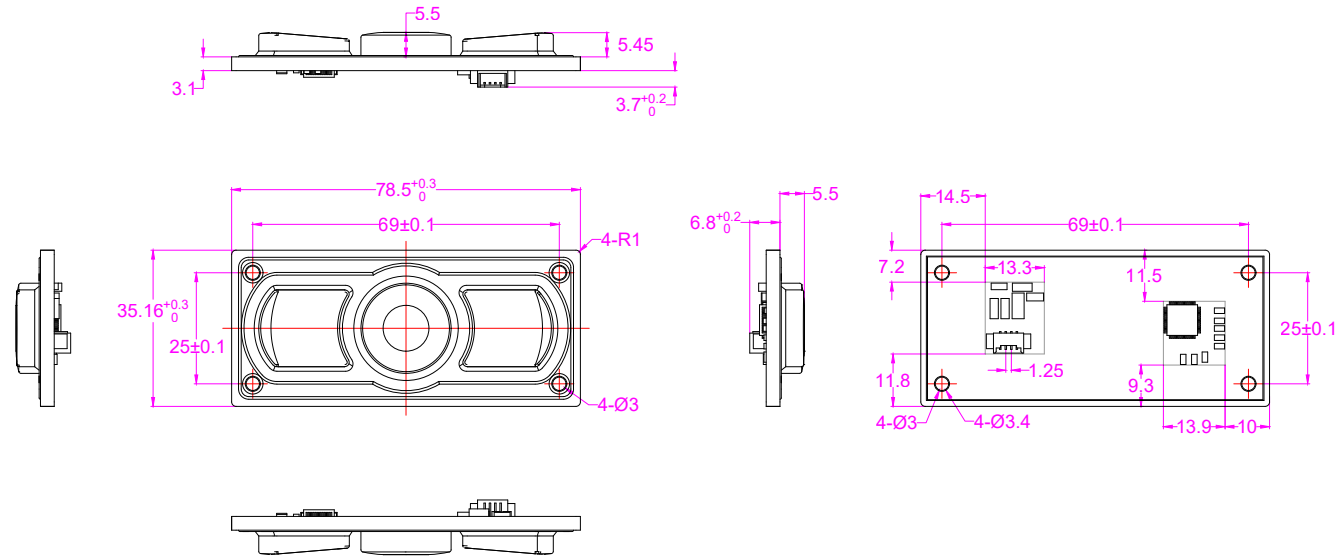


Date	Changes	REV
2022.11.03	Original	1.0



KEY TECHNOLOGY(CHINA)LIMITED

深圳市键特电子有限公司

www.rugged-key.com www.rugged-key.cn



Part Name					Project Name				
Part No.	K-TEK-M76-DHP-EMC-DWT-2-H5.5				Project No.				
Material					Scale	1:1	Unit	mm	
Date	2022.11.03	Version	1.0	Tolerance	IT12	Sheet	1 of 1		
Designed	Chen Xiaobing	Audited		Tony Deng	Approved				