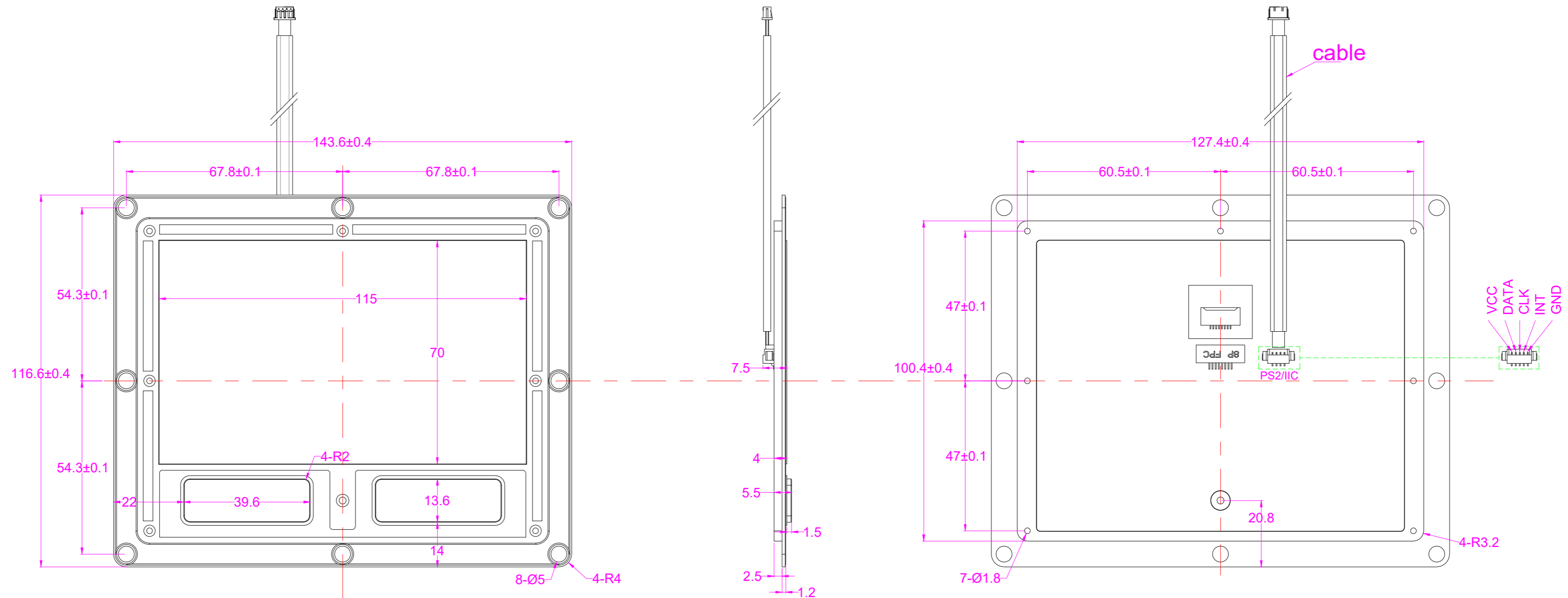
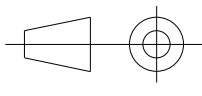


Date	Changes	REV
2023.11.01	Original	1.0



备注：电缆长度有0.2米、0.26米、0.32米可选。
 Note: Cable lengths are available in 0.2 meters, 0.26 meters, or 0.32 meters.

Part Name				Project Name				
Part No.	K-TEK-M125TP-DML-25KV-DWP-OEM			Project No.				
Material				Scale	1:1	Unit	mm	
Date	2023.11.01	Version	1.0	Tolerance	IT12	Sheet	1 of 1	
Designed	Wang Zhiqiang	Audited		Tony Deng	Approved			