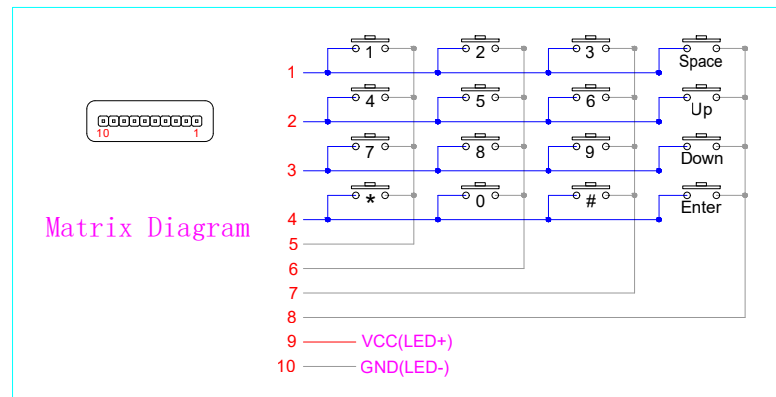
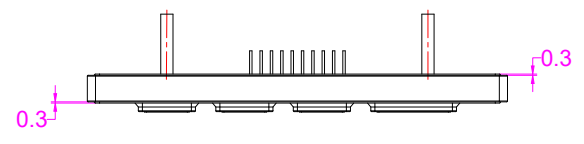
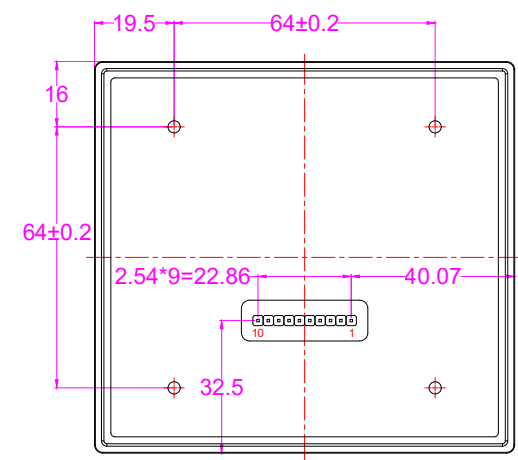
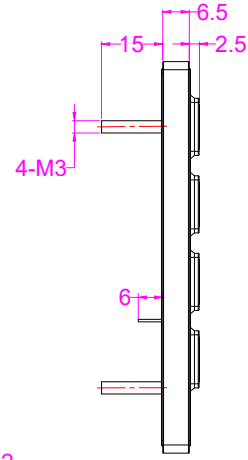
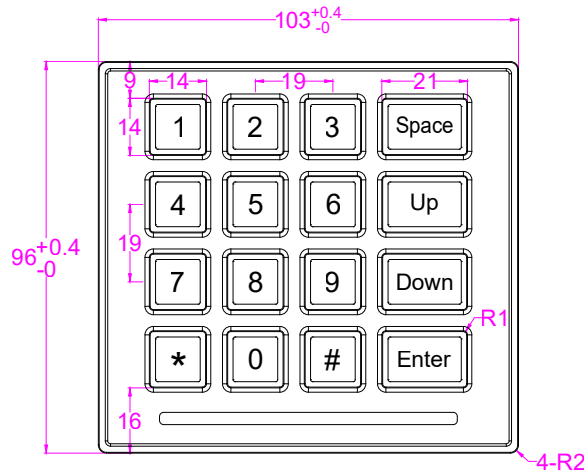




Date	Changes	REV
2023.11.21	Original	1.0



KEY TECHNOLOGY(CHINA)LIMITED
 深圳市键特电子有限公司 
www.rugged-key.com www.rugged-key.cn

Part Name	K-TEK-M103KP-16-AC-BL			Project Name				
Part No.				Project No.				
Material				Scale	1:1	Unit	mm	☰
Date	2023.11.21	Version	1.0	Tolerance	IT12	Sheet	1 of 1	
Designed	Wang Zhiqiang	Audited		Tony Deng	Approved			