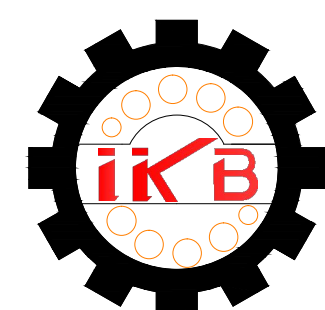
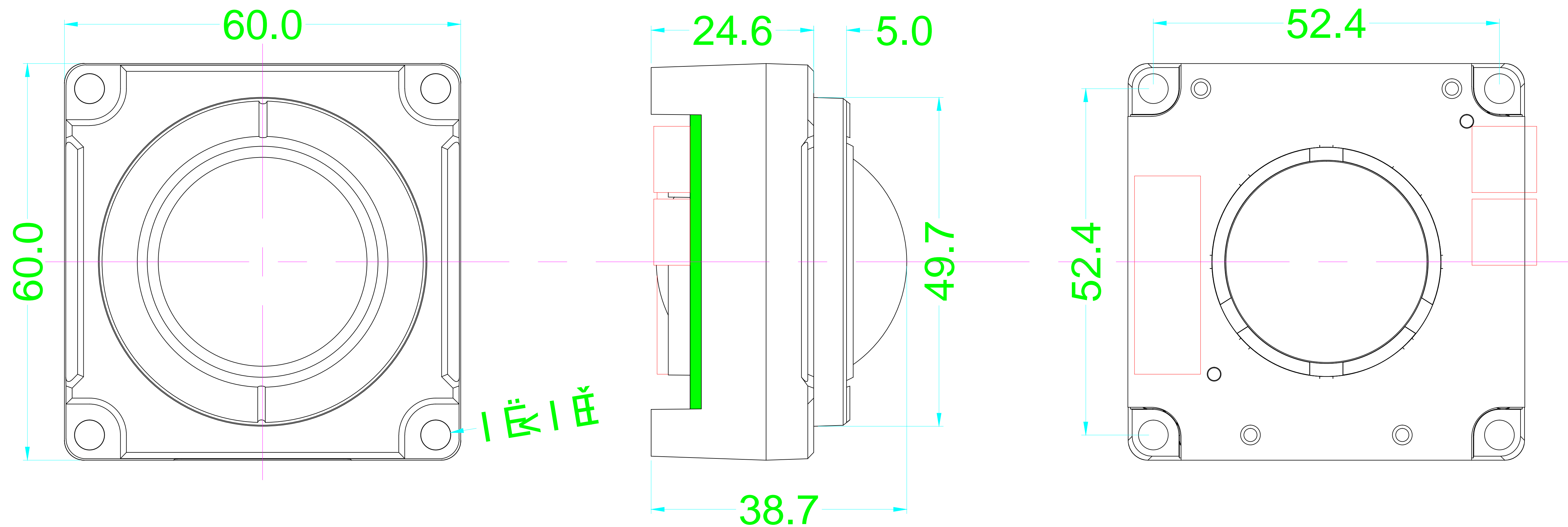


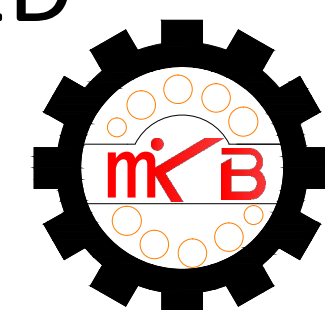
Date	Changes	REV
2018.12.10	Original	1.0



KEY TECHNOLOGY(CHINA)LIMITED

深圳市键特电子有限公司

www.key-tek.cn www.ikb-mkb.com



Part Name				Project Name				
Part No.	K-TEK-38R-MTB-V03			Project No.				
Material				Scale	1:1	Unit	mm	
Date	2018.11.21	Version	1.0	Tolerance	IT12	Sheet	1 of 1	
Designed	Pan		Audited			Approved		