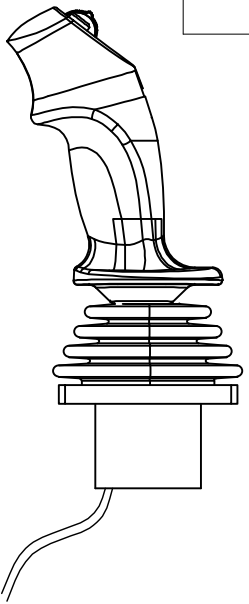
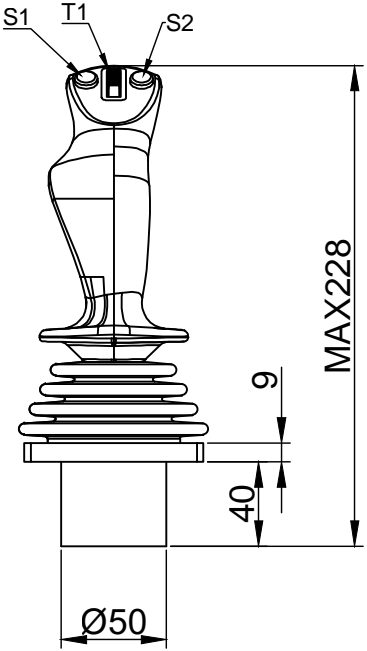
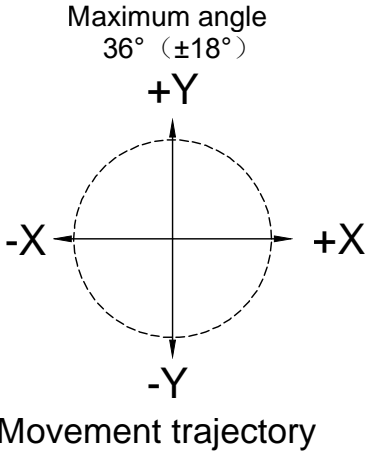
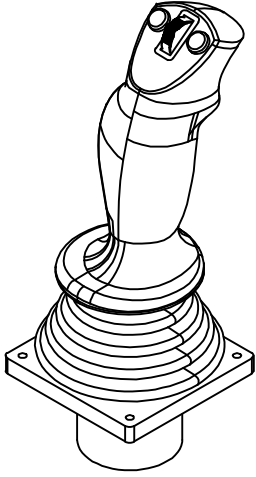
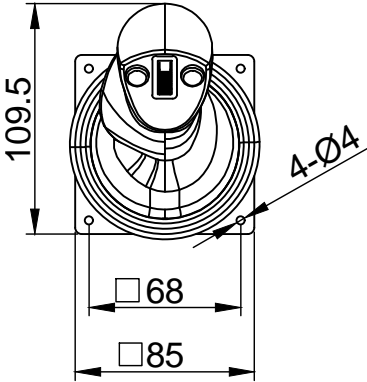


Date	Changes	REV
2024.09.05	Original	1.0
2025.11.10	Change the direction of outgoing lines.	2.0



PIN definition	Color
+5VDC	red
USB +	green
USB -	white
GND	black

Cable length: 1500±100mm



KEY TECHNOLOGY(CHINA)LIMITED

深圳市键特电子有限公司

www.rugged-key.com www.rugged-key.cn



Part Name				Project Name		K-TEK-GBC4-C2U2T				
Part No.				Project No.						
Material				Scale		1:2	Unit	mm		
Date	2025.11.10	Version	2.0	Tolerance	IT12	Sheet	1 of 1			
Designed	Yang Guifeng	Audited		Tony Deng		Approved				

