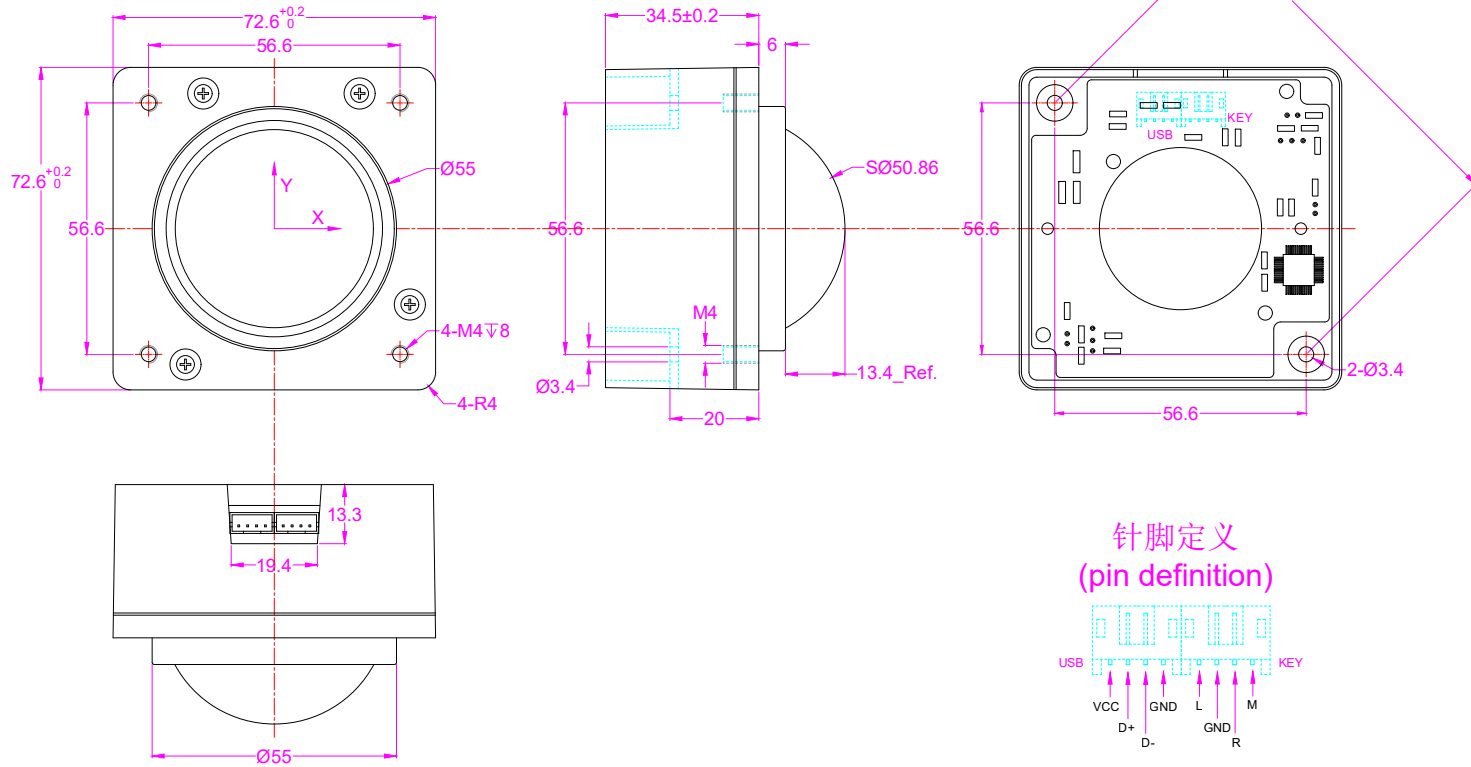
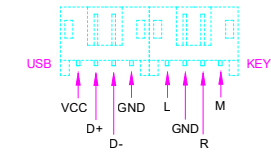


Date	Changes	REV
19.04.2022	Original	1.0



针脚定义
(pin definition)



KEY TECHNOLOGY(CHINA)LIMITED

深圳市键特电子有限公司

www.key-tek.cn

www.ikb-mkb.com



Part Name	K-TEK-50-MTB-AVB-ML			Project Name				
Part No.				Project No.				
Material				Scale	1:1	Unit	mm	
Date	19.04.2022	Version	1.0	Tolerance	IT12	Sheet	1 of 1	
Designed	Chen Xiaobing	Audited		Tony Deng	Approved			