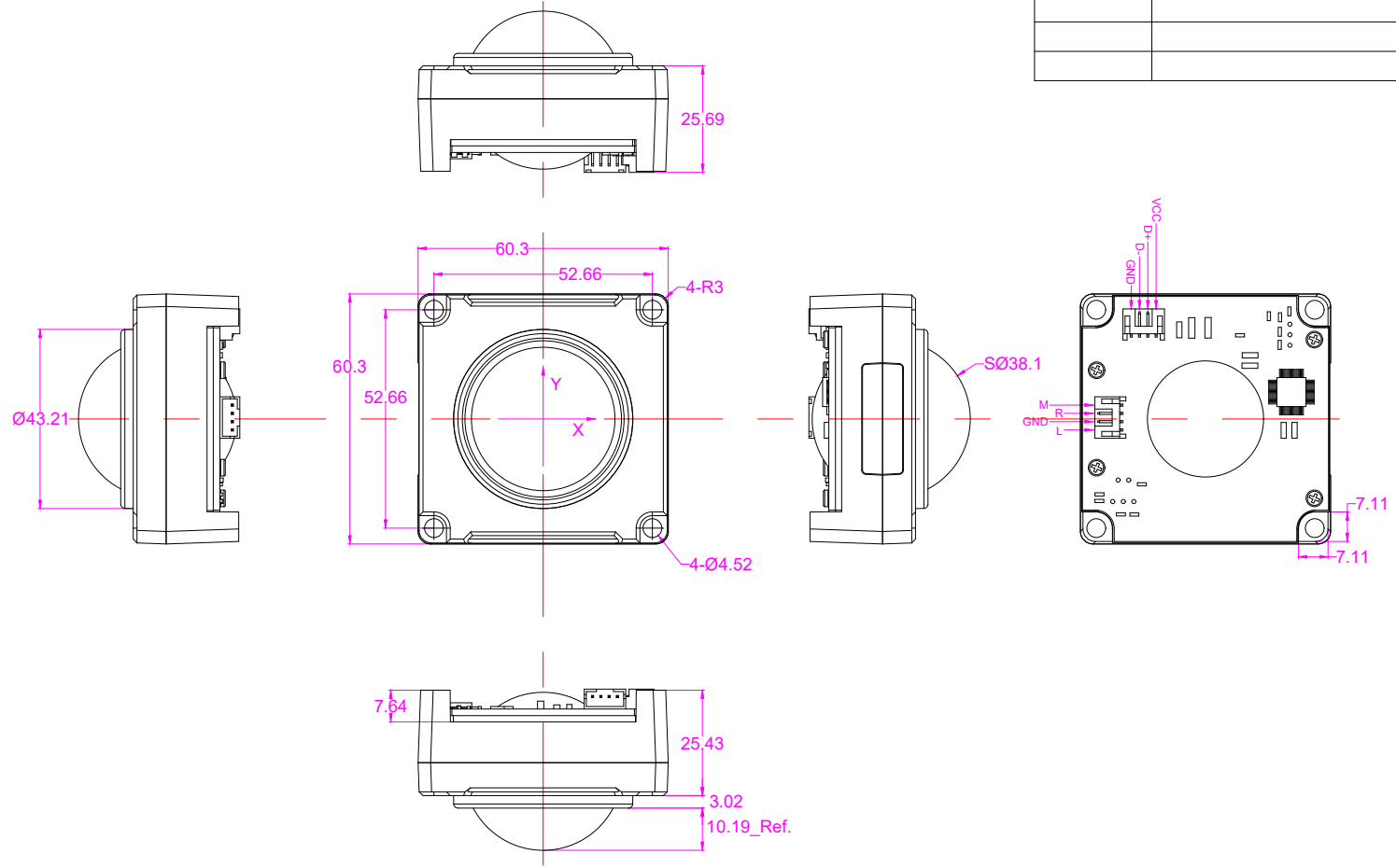


Date	Changes	REV
20.04.2022	Original	1.0



KEY TECHNOLOGY(CHINA)LIMITED

深圳市键特电子有限公司

www.rugged-key.com www.ikb-mkb.com

Part Name	K-TEK-38-MTB-AVB-ML			Project Name				
Part No.				Project No.				
Material				Scale	1:1	Unit	mm	
Date	20.04.2022	Version	1.0	Tolerance	IT12	Sheet	1 of 1	
Designed	Chen Xiaobing	Audited		Tony Deng	Approved			