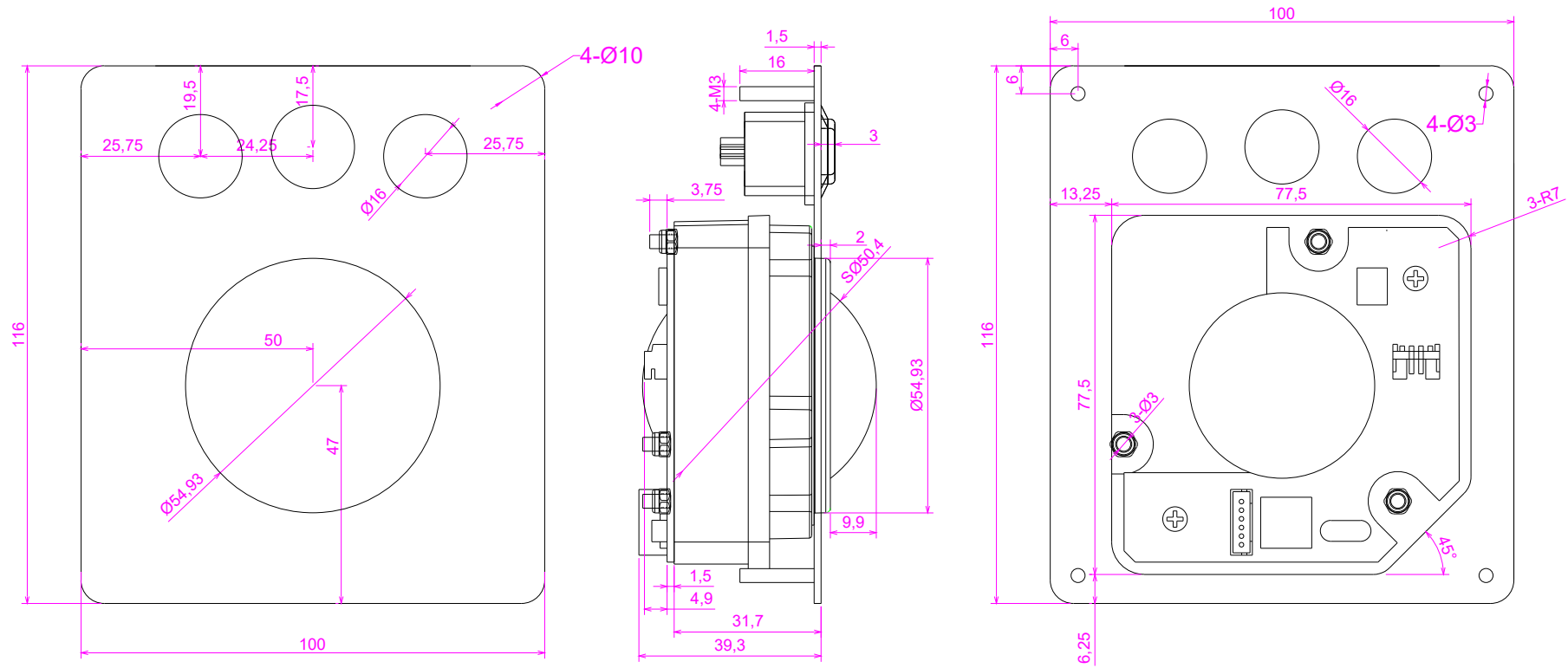


Date	Changes	REV
09.09.2020	Original	1.0



Part Name		Project Name	
Part No. K-TEK-B100-50-MTB		Project No.	
Material	Date 09.09.2020	Version 1.0	Scale 1:1
Date 09.09.2020	Version 1.0	Tolerance	Unit mm
Designed Chen zhenjie	Audited	Tony Deng	Sheet 1 of 1
Approved		Approved	