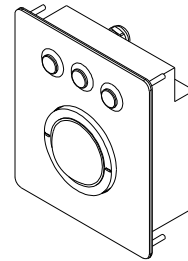
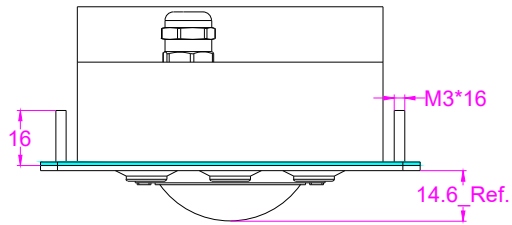
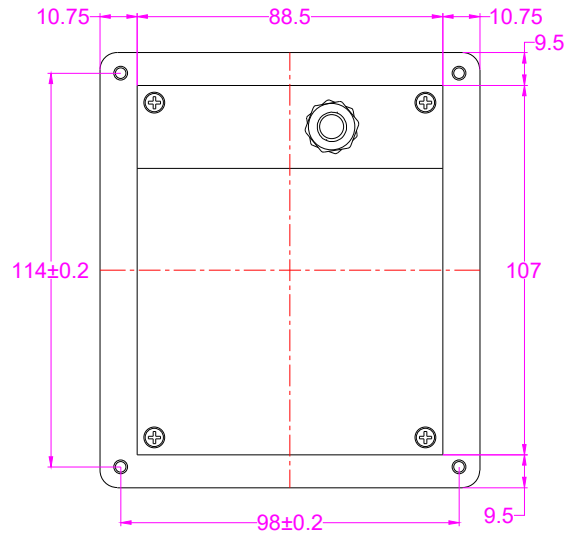
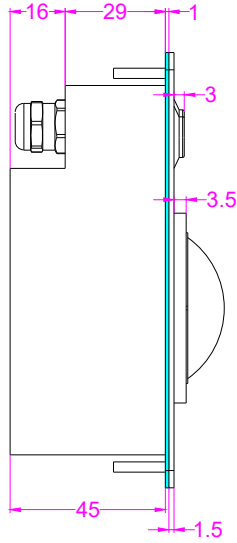
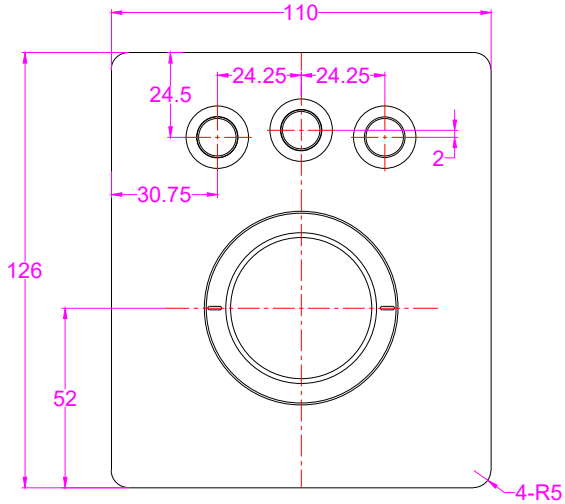


Date	Changes	REV
2024.01.12	Original	1.0



KEY TECHNOLOGY(CHINA)LIMITED
 深圳市键特电子有限公司 
www.rugged-key.com www.rugged-key.cn

Part Name					Project Name				
Part No.		B110-50-LTB-DWP			Project No.				
Material					Scale		1:1	Unit	mm
Date		2024.01.12	Version	1.0	Tolerance		IT12	Sheet	1 of 1
Designed		Cen ZhiQiu		Audited		Tony Deng		Approved	