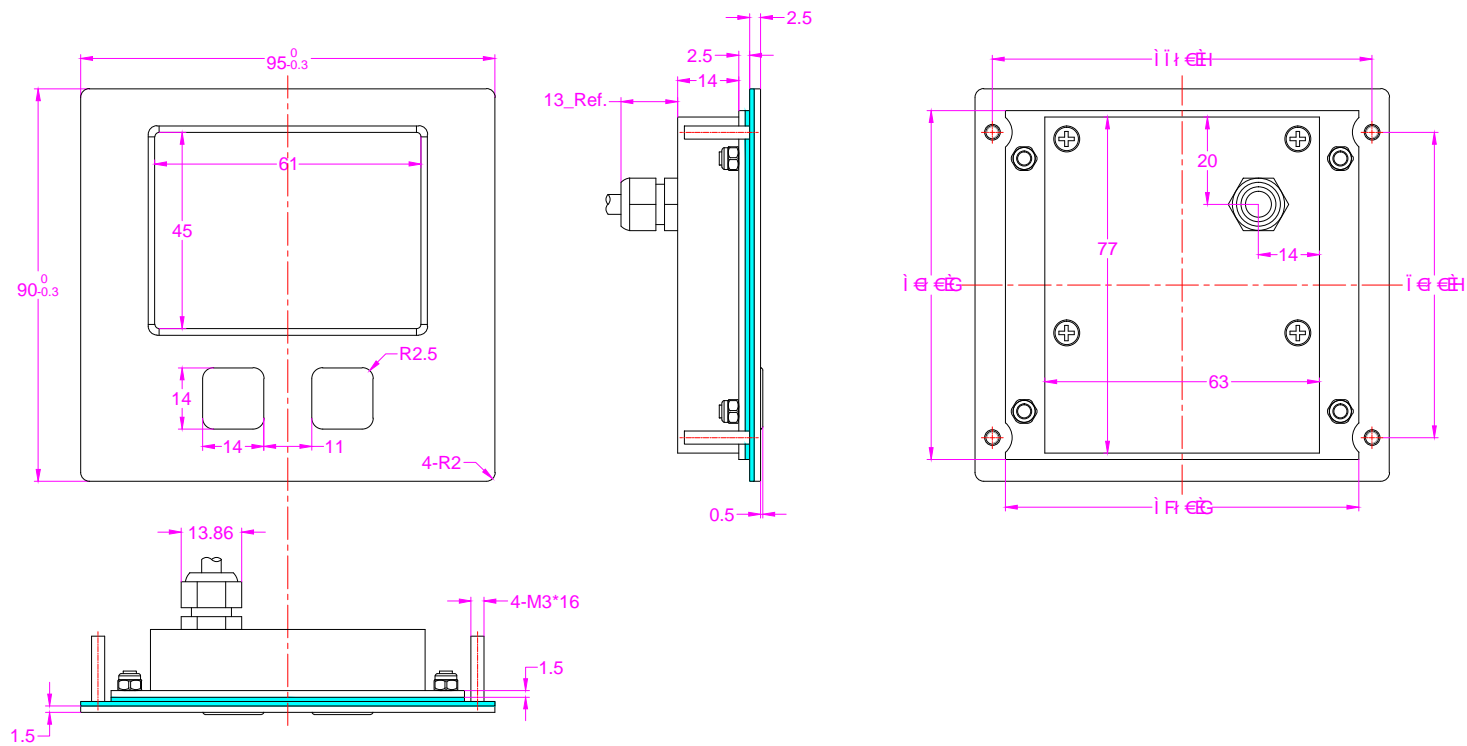


Date	Changes	REV
2023.06.29	Original	1.0



KEY TECHNOLOGY(CHINA)LIMITED

深圳市键特电子有限公司



www.rugged-key.com www.rugged-key.cn

Part Name				Project Name			
Part No.	K-TEK-B95TP-DWP			Project No.			
Material				Scale	1:1	Unit	mm
Date	2023.06.29	Version	1.0	Tolerance	IT12	Sheet	1 of 1
Designed	Chen Xiaobing	Audited		Tony Deng	Approved		