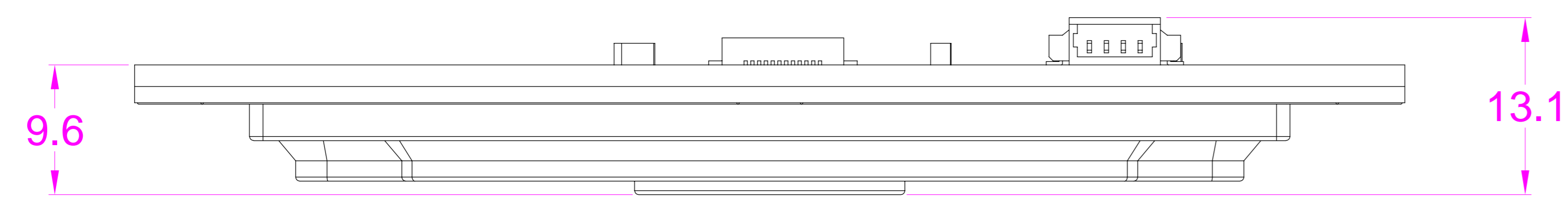
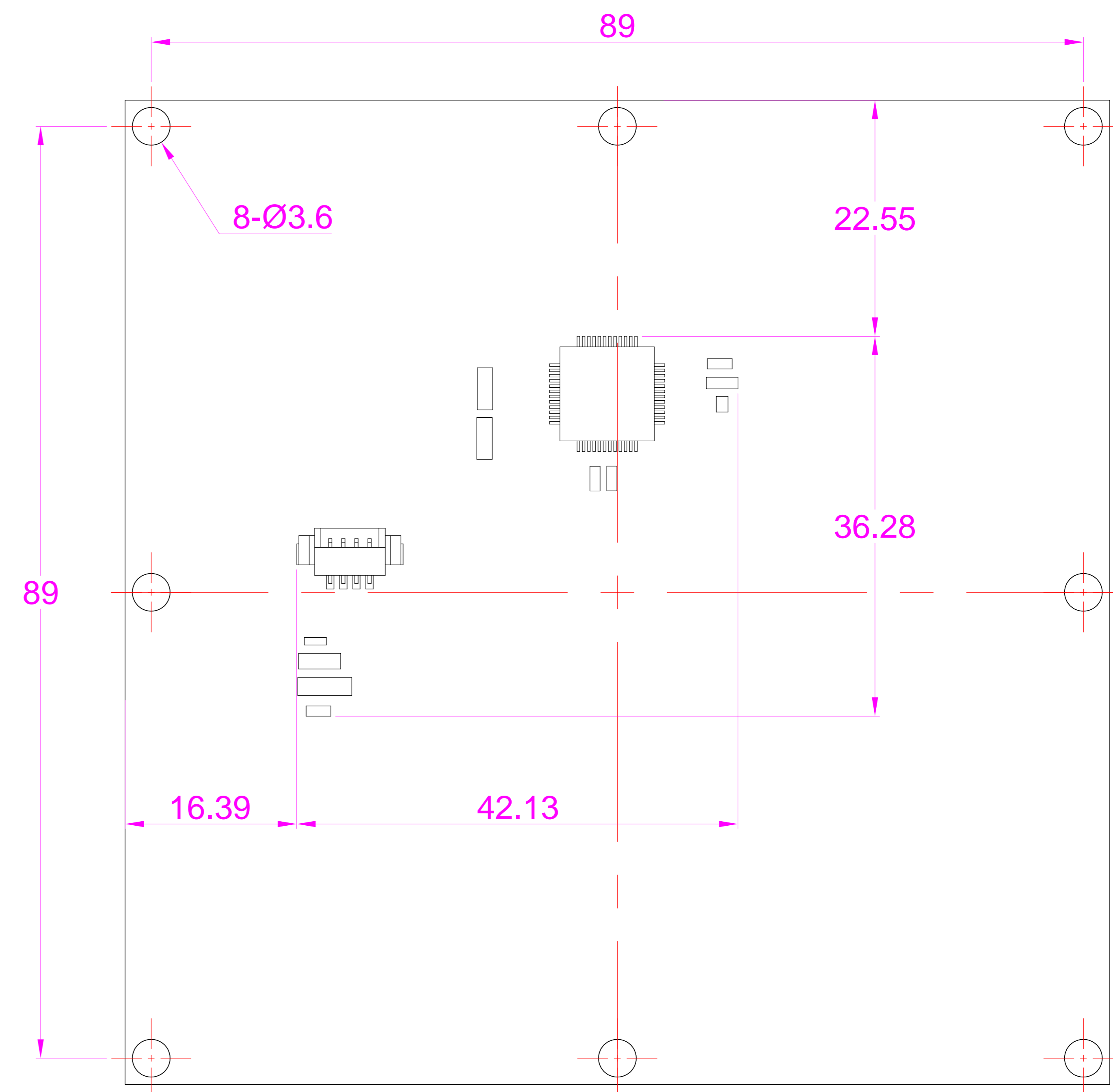
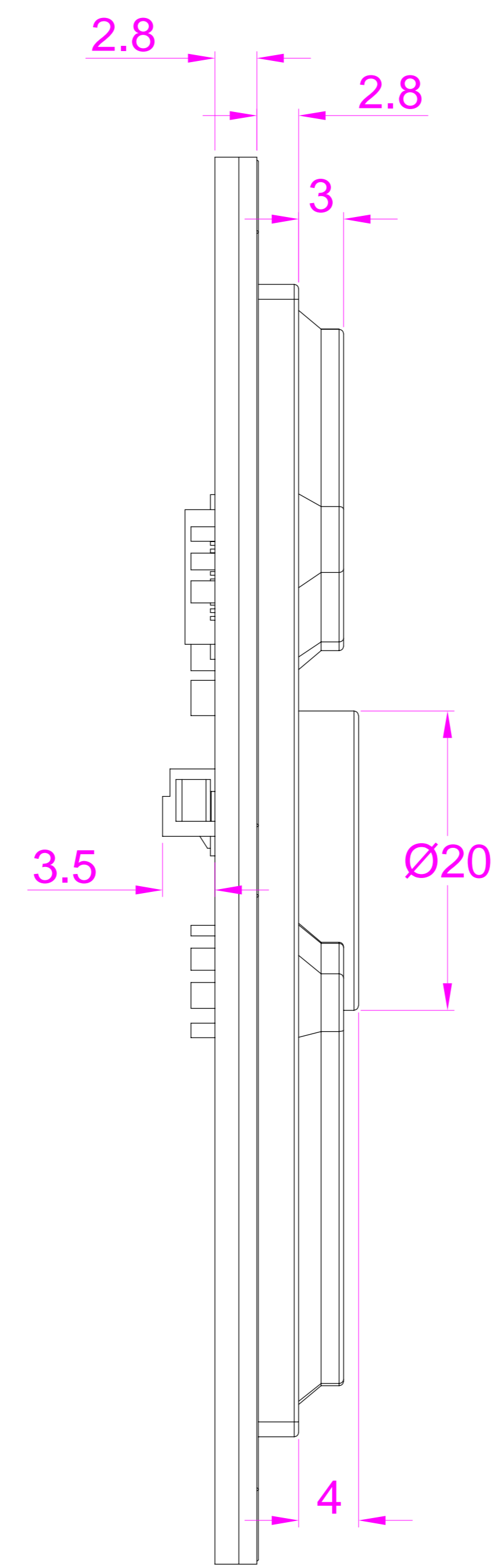
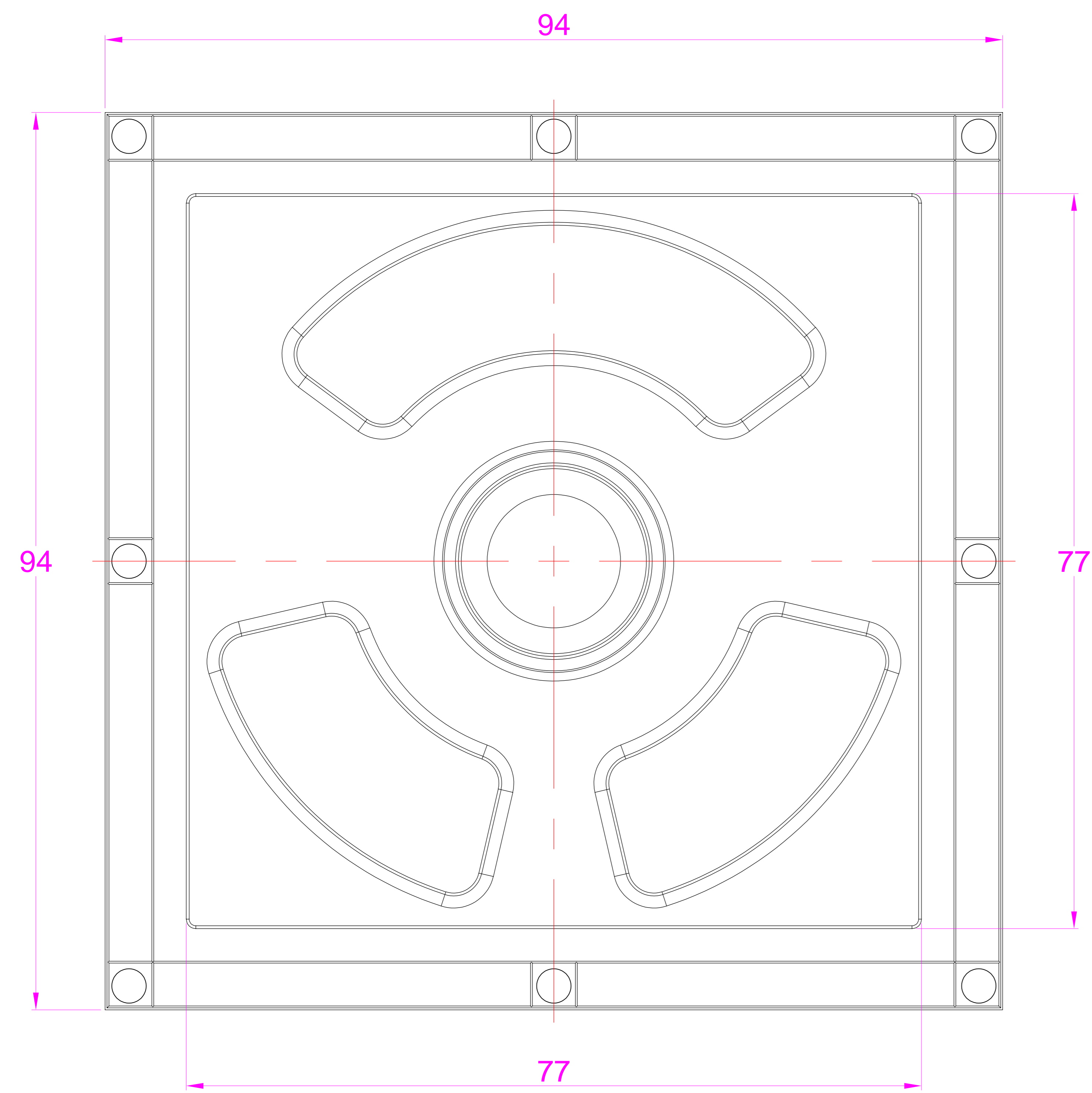
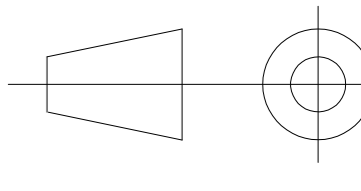


Date	Changes	REV
2024.12.23	Original	1.0



Part Name	K-TEK-M77-DHP-ML			Project Name				
Part No.				Project No.				
Material				Scale	1:1	Unit	mm	
Date	2024.12.23	Version	1.0	Tolerance		Sheet	1 of 1	
Designed	Luo Chuanjian	Audited		Tony Deng	Approved			