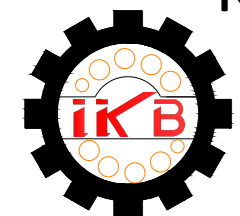
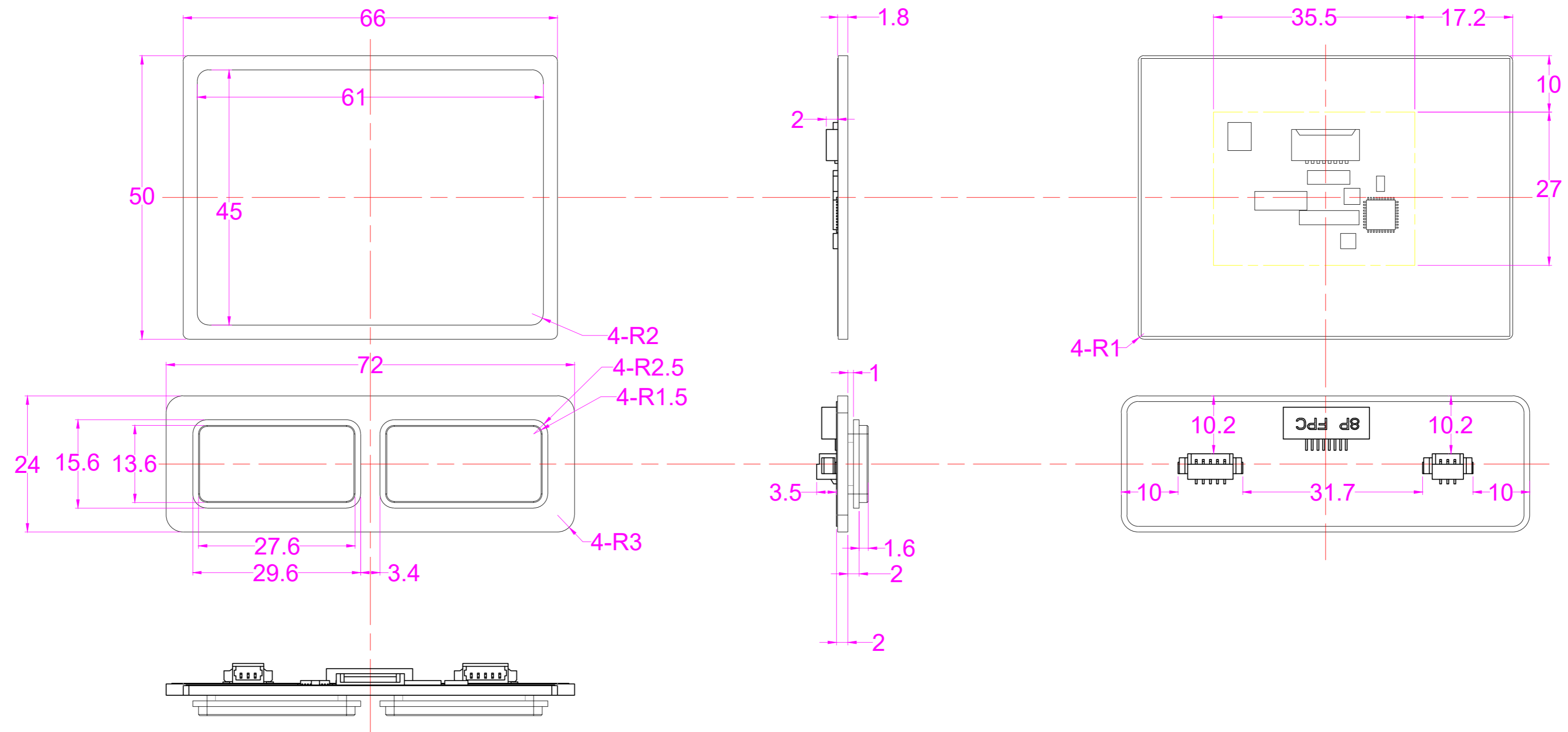
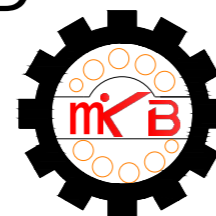


Date	Changes	REV
2023.10.23	Original	1.0



KEY TECHNOLOGY(CHINA)LIMITED

深圳市键特电子有限公司



www.rugged-key.com www.rugged-key.cn

Part Name				Project Name				
Part No.	K-TEK-TP65-DML-25KV+2KEY			Project No.				
Material				Scale	1:1	Unit	mm	
Date	2023.10.23	Version	1.0	Tolerance	IT12	Sheet	1 of 1	
Designed	Wang Zhiqiang	Audited		Tony Deng	Approved			