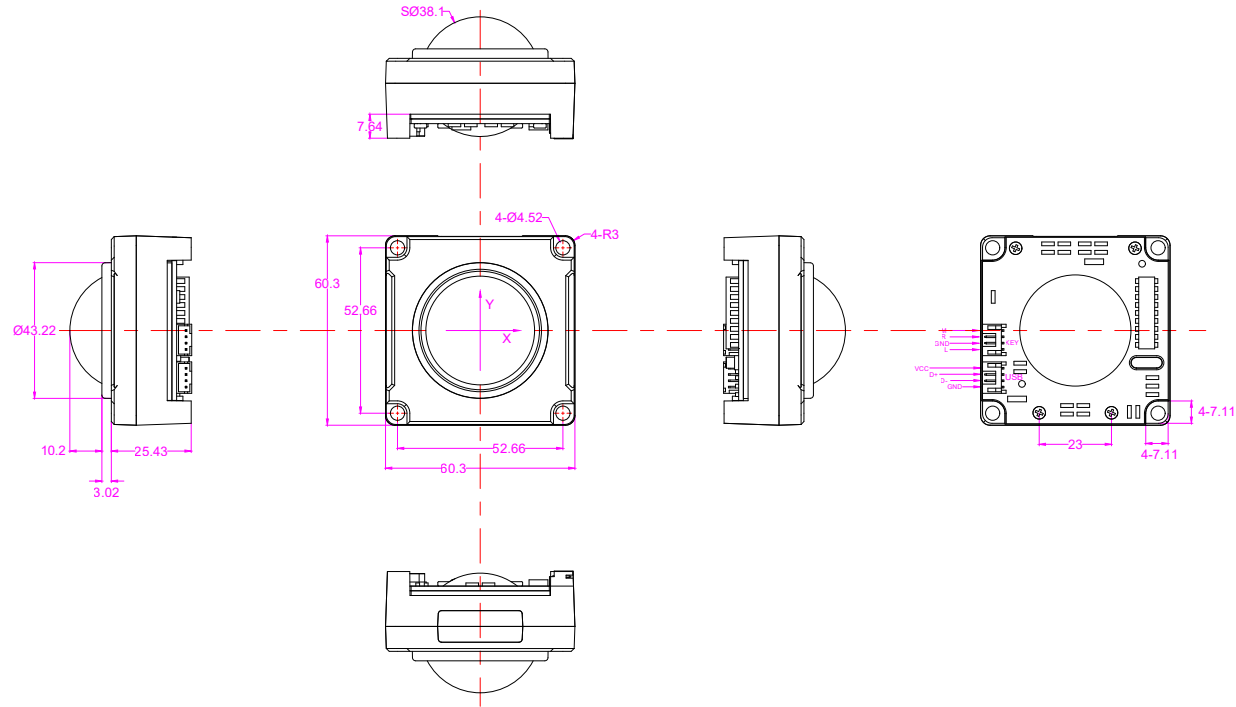


| Date | Changes | REV |
|------------|----------|-----|
| 25.07.2022 | Original | 1.0 |
| | | |
| | | |



KEY TECHNOLOGY(CHINA)LIMITED

深圳市键特电子有限公司

www.rugged-key.com

www.rugged-key.cn



| | | | | | | | |
|-----------|-----------------|---------|-----|--------------|----------|-------|--------|
| Part Name | | | | Project Name | | | |
| Part No. | K-TEK-38-MTB-60 | | | Project No. | | | |
| Material | | | | Scale | 1:1 | Unit | mm |
| Date | 25.07.2022 | Version | 1.0 | Tolerance | IT12 | Sheet | 1 of 1 |
| Designed | Chen Xiaobing | Audited | | Tony Deng | Approved | | |

