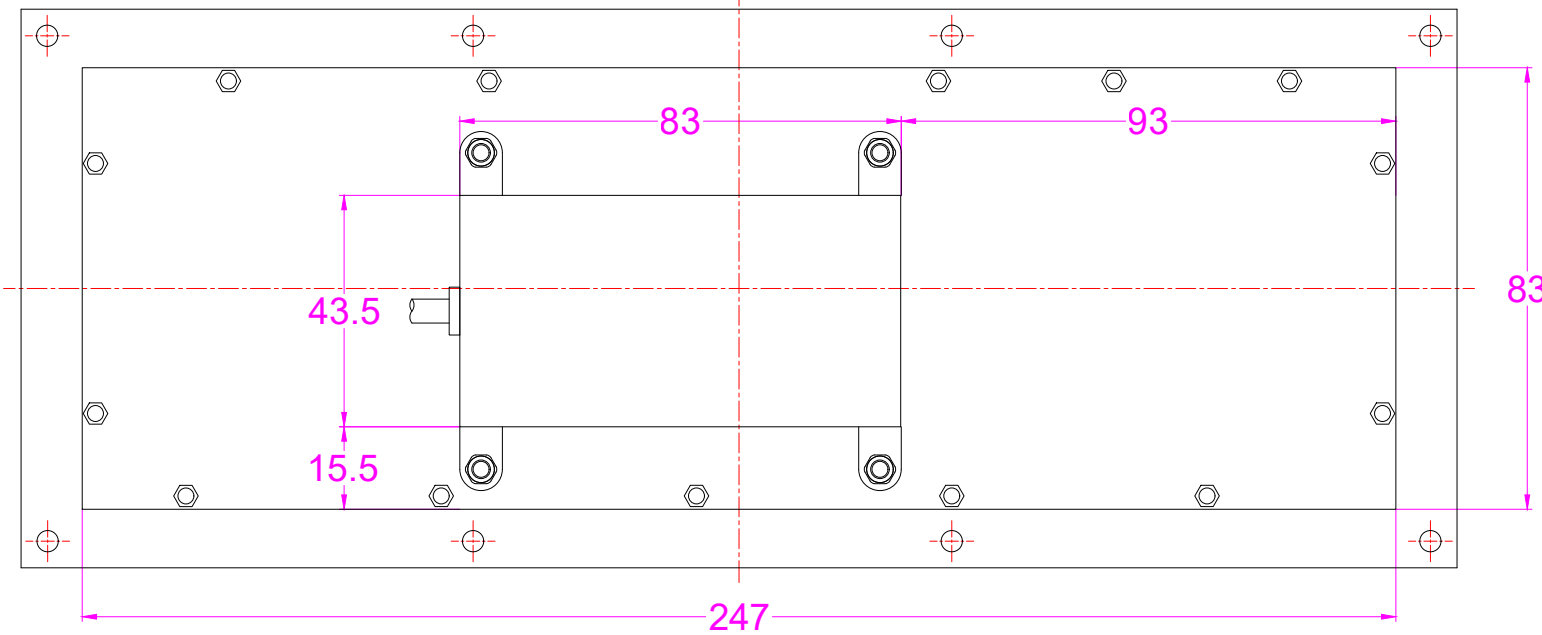
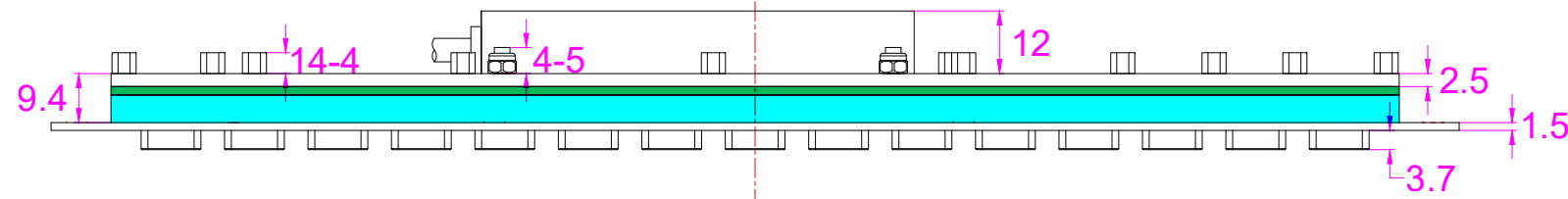
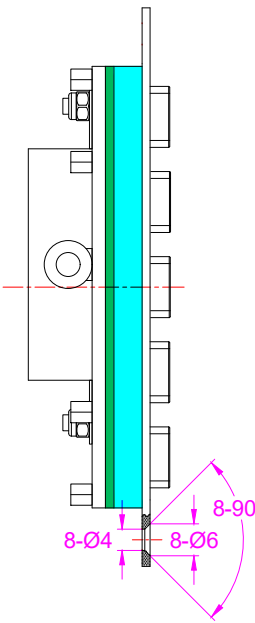
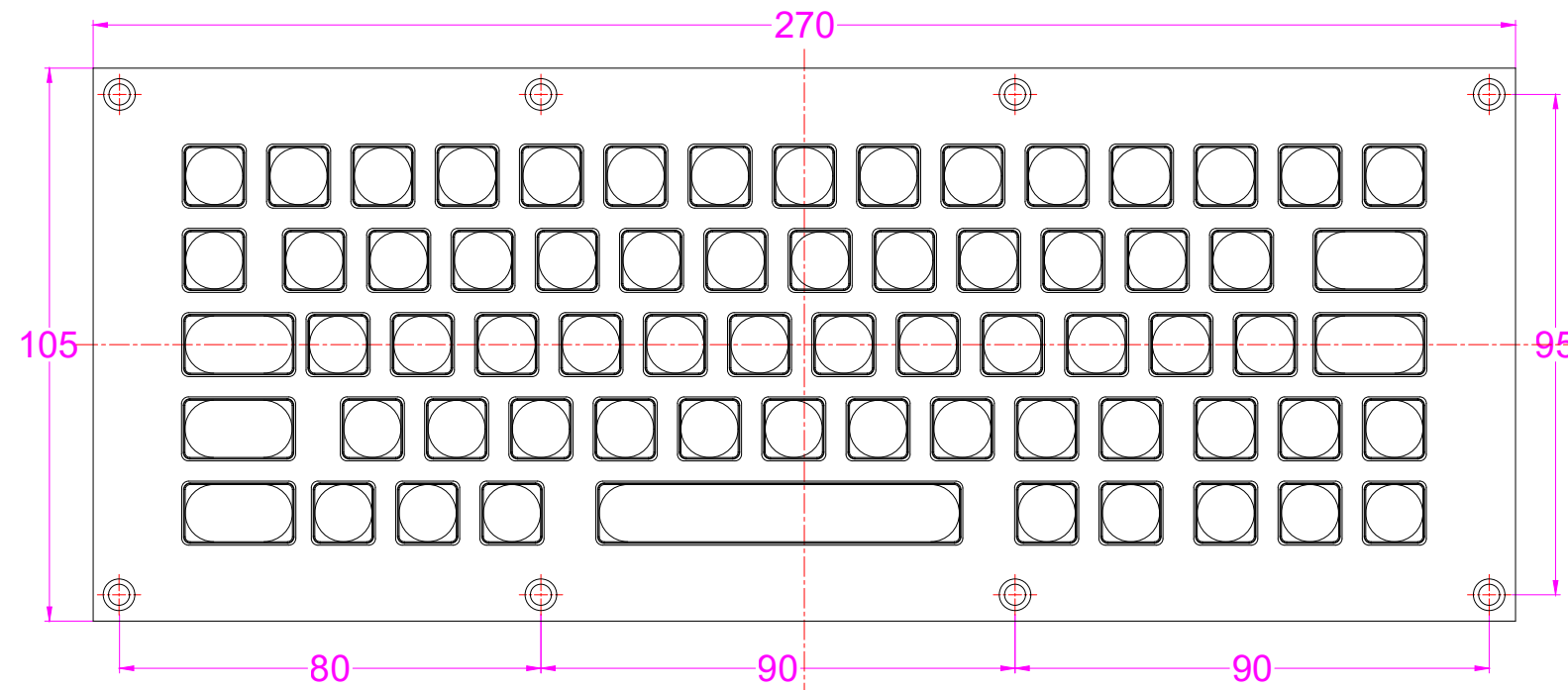


Date	Changes	REV
06.01.2021	Original	1.0



KEY TECHNOLOGY(CHINA)LIMITED

深圳市键特电子有限公司

www.key-tek.cn www.ikb-mkb.com



Part Name	K-TEK-M270-BL-BT-ML-DWP			Project Name				
Part No.				Project No.				
Material				Scale	1:1	Unit	mm	
Date	06.01.2021	Version	1.0	Tolerance	IT12	Sheet	1 of 1	
Designed	Chen Zhenjie	Audited		Tony Deng	Approved			