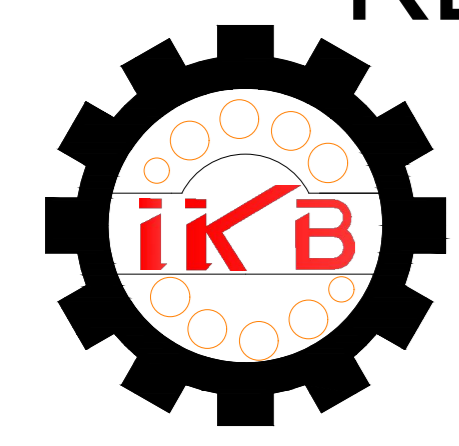
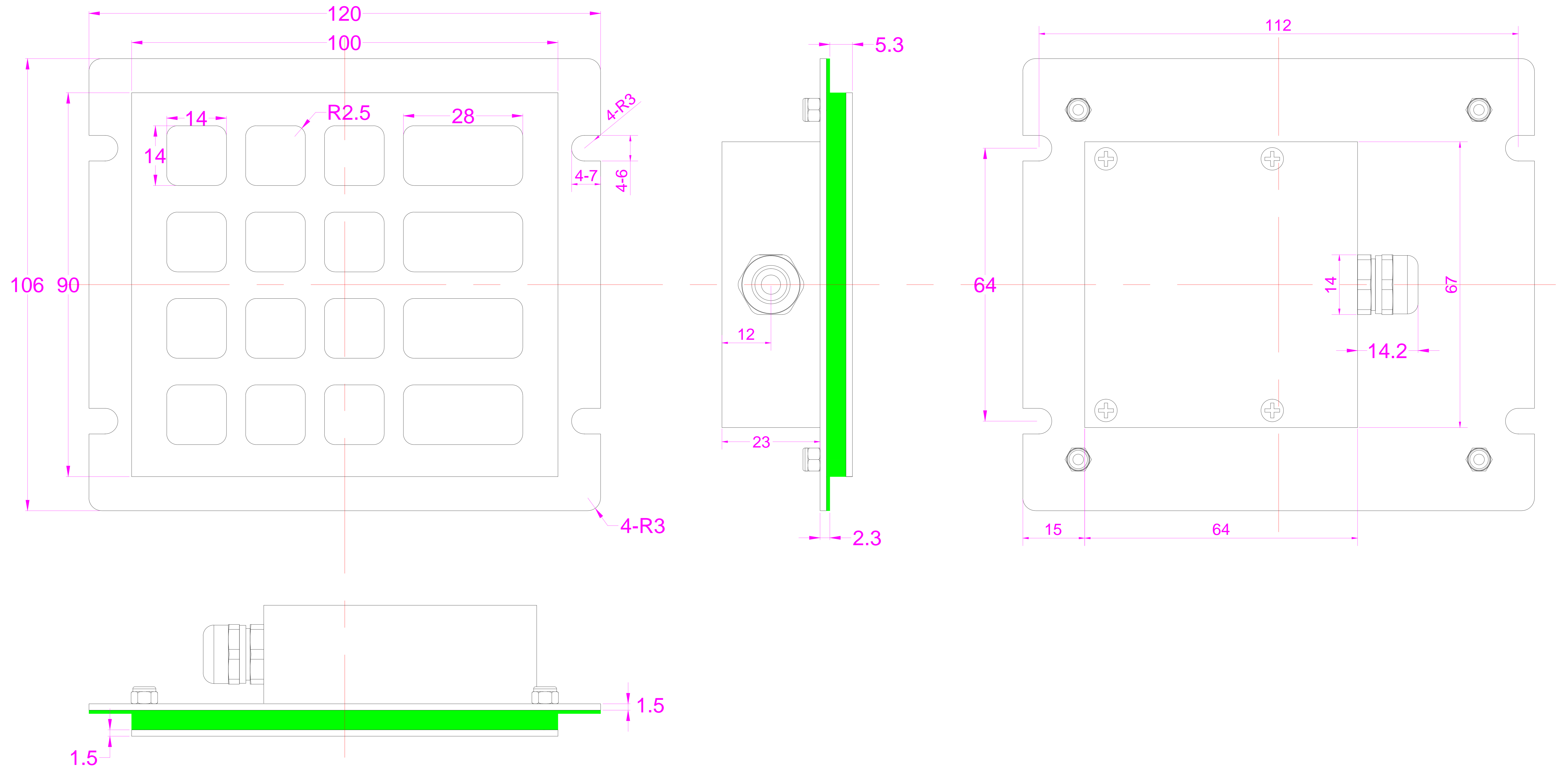
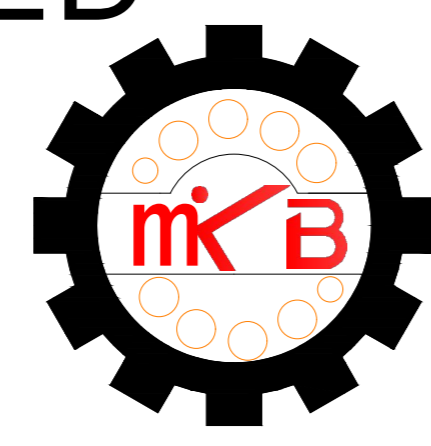


Date	Changes	REV
19.11.2019	Original	1.0



KEY TECHNOLOGY(CHINA)LIMITED

深圳市键特电子有限公司



www.key-tek.cn

www.ikb-mkb.com

Part Name	K-TEK-B100KP-DWP			Project Name				
Part No.				Project No.				
Material				Scale	1:1	Unit	mm	
Date	19.11.2019	Version	1.0	Tolerance	IT12	Sheet	1 of 1	
Designed	Chen XiaoBing	Audited		Tony Deng	Approved			