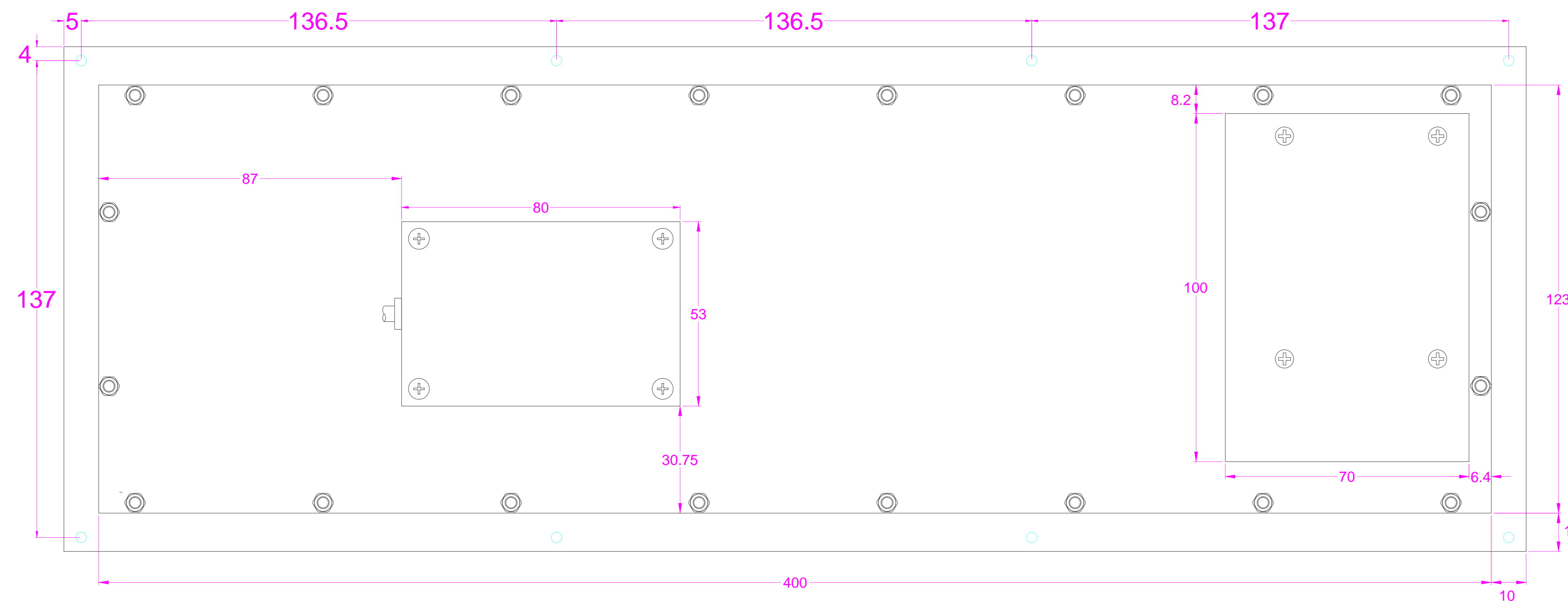
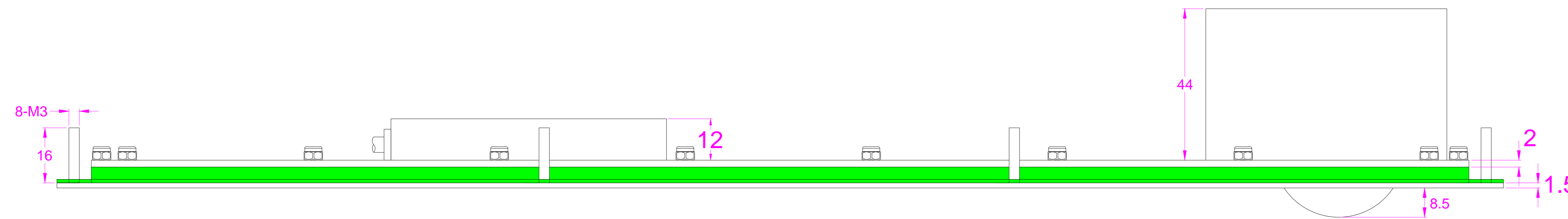
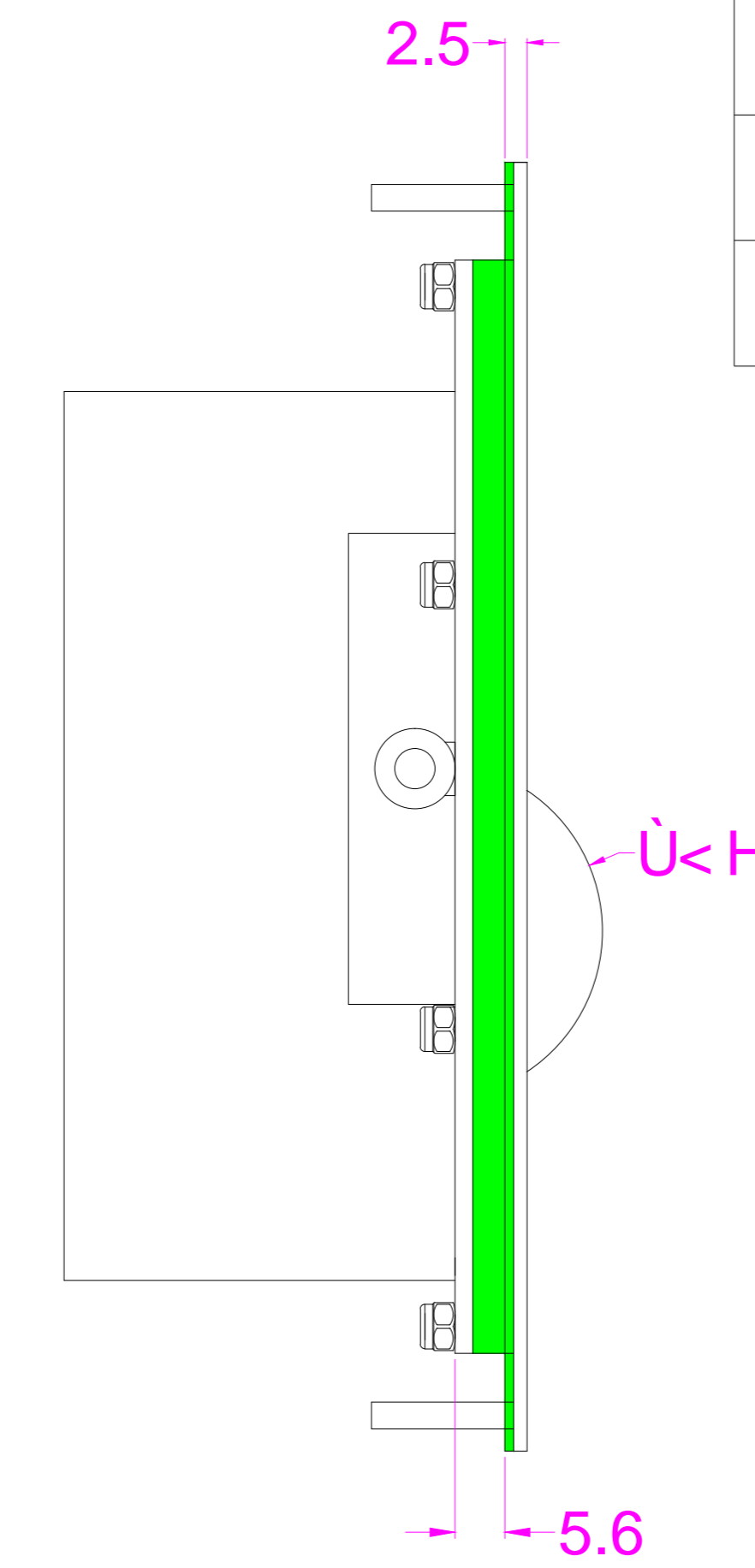
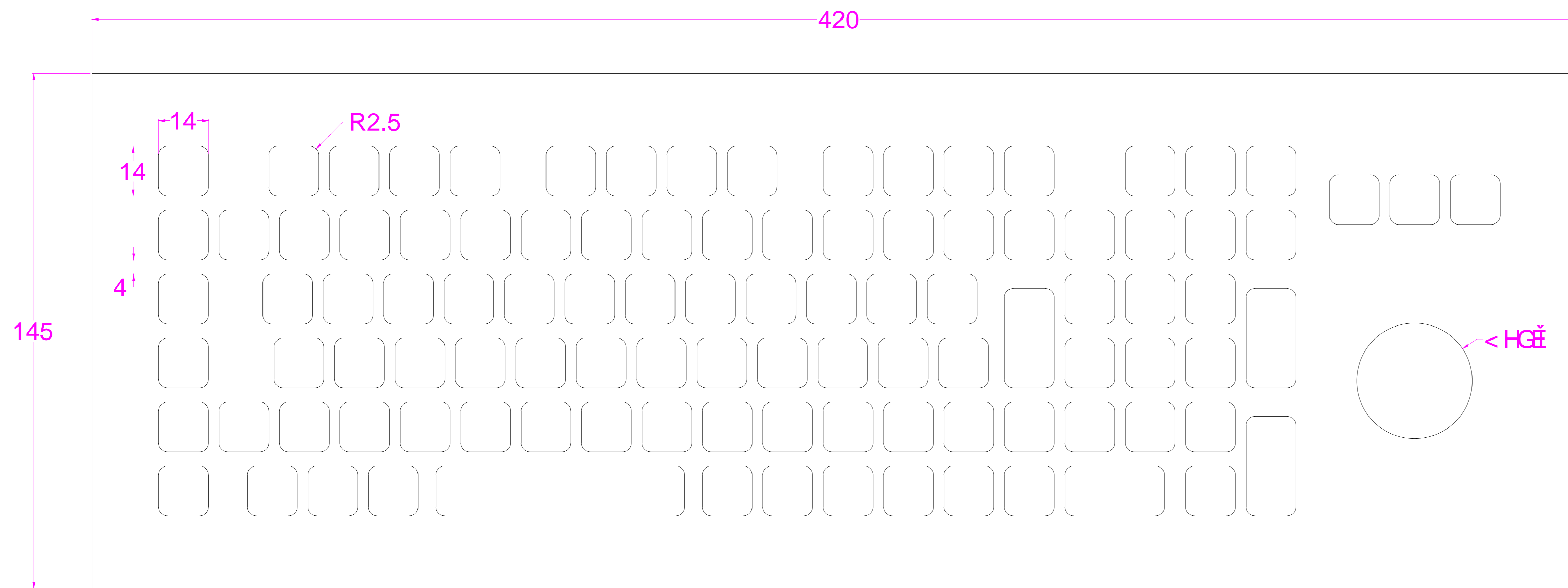

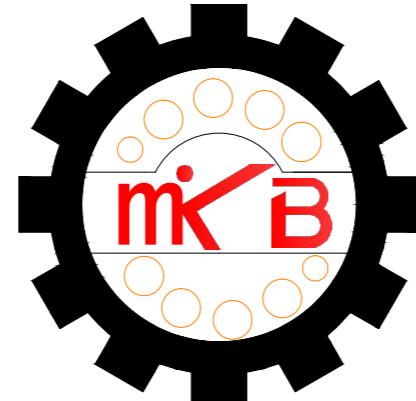


Date	Changes	REV
08.10.2018	Original	1.0




**KEY TECHNOLOGY(CHINA)LIMITED**  
 深圳市键特电子有限公司  

  
[www.key-tek.cn](http://www.key-tek.cn)    [www.ikb-mkb.com](http://www.ikb-mkb.com)

Part Name		Project Name		
Part No.		Project No.		
Material		Scale	1:1	Unit
Date	08.10.2018	Tolerance	IT12	Sheet
Designed	Chen XiaoBing	Version	1.0	mm
Audited	Tony Deng	Approved	1 of 1	