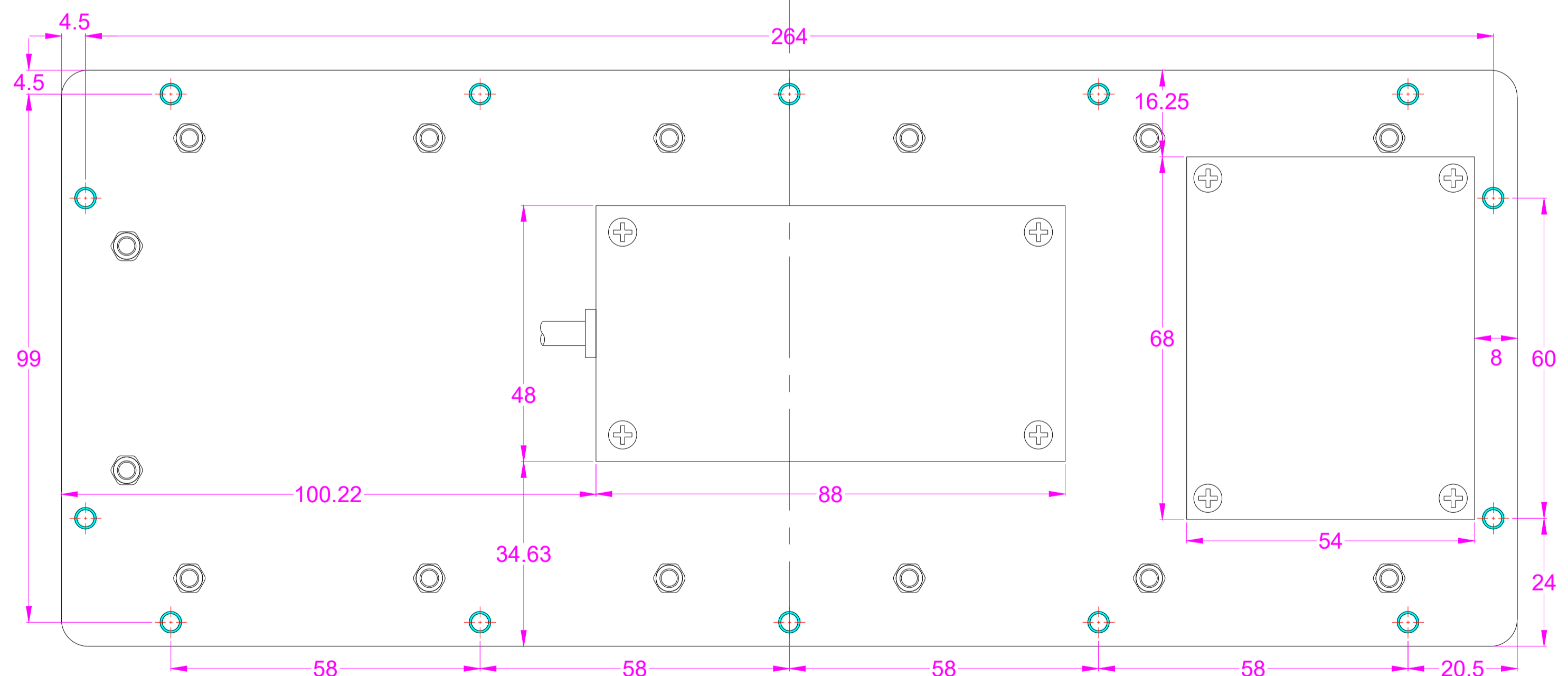
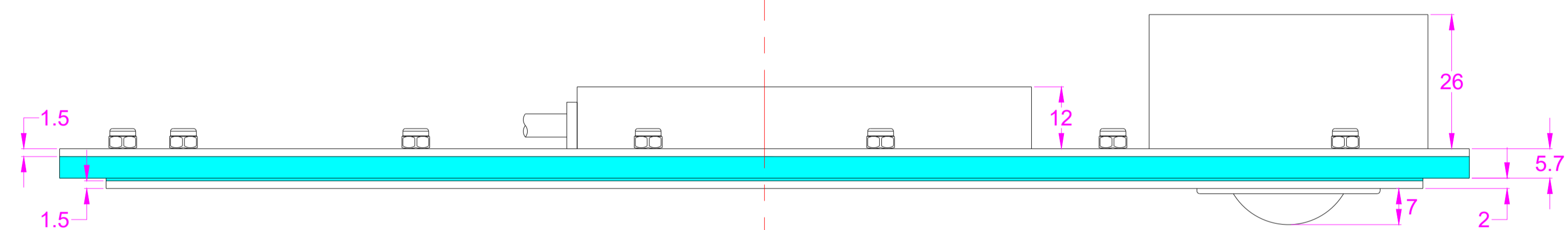
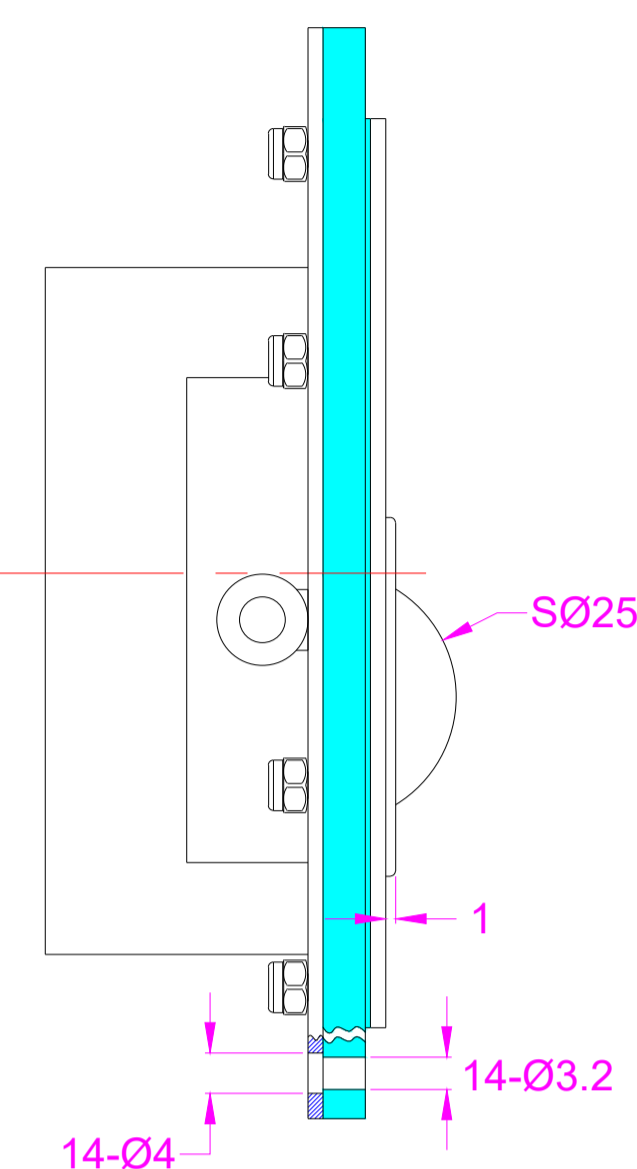
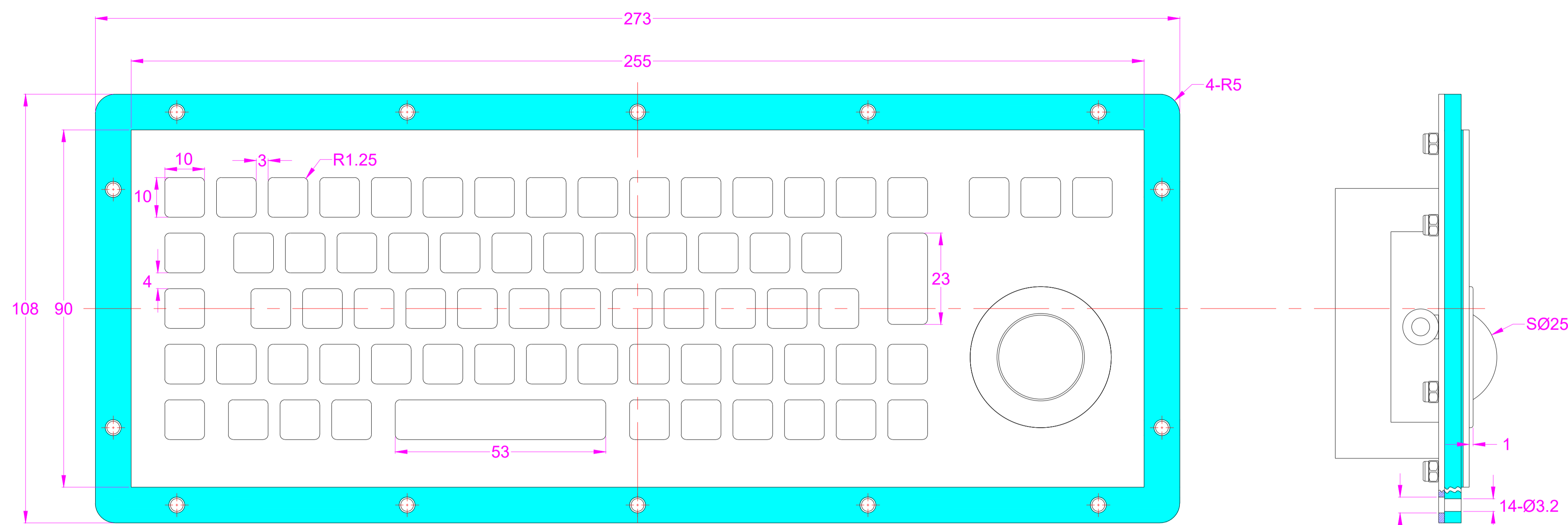

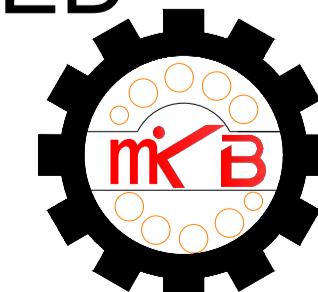


| Date | Changes | REV |
|------------|----------|-----|
| 05.12.2018 | Original | 1.0 |
| | | |
| | | |




KEY TECHNOLOGY(CHINA)LIMITED
 深圳市键特电子有限公司


www.rugged-key.com www.rugged-key.cn

| | | | |
|-----------------------------|---------------|--------------|-----------------------|
| Part Name | | Project Name | |
| Part No. K-TEK-B255-OTB-DWP | | Project No. | |
| Material | | Scale | 1:1 Unit |
| Date | 05.12.2018 | Tolerance | IT12 Sheet |
| Designed | Chen Xiaobing | Audited | Tony Deng Approved |
| Version | | 1.0 | mm |
| | | | 1 of 1 |