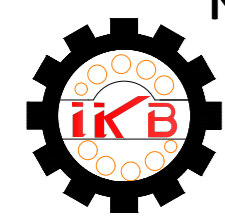
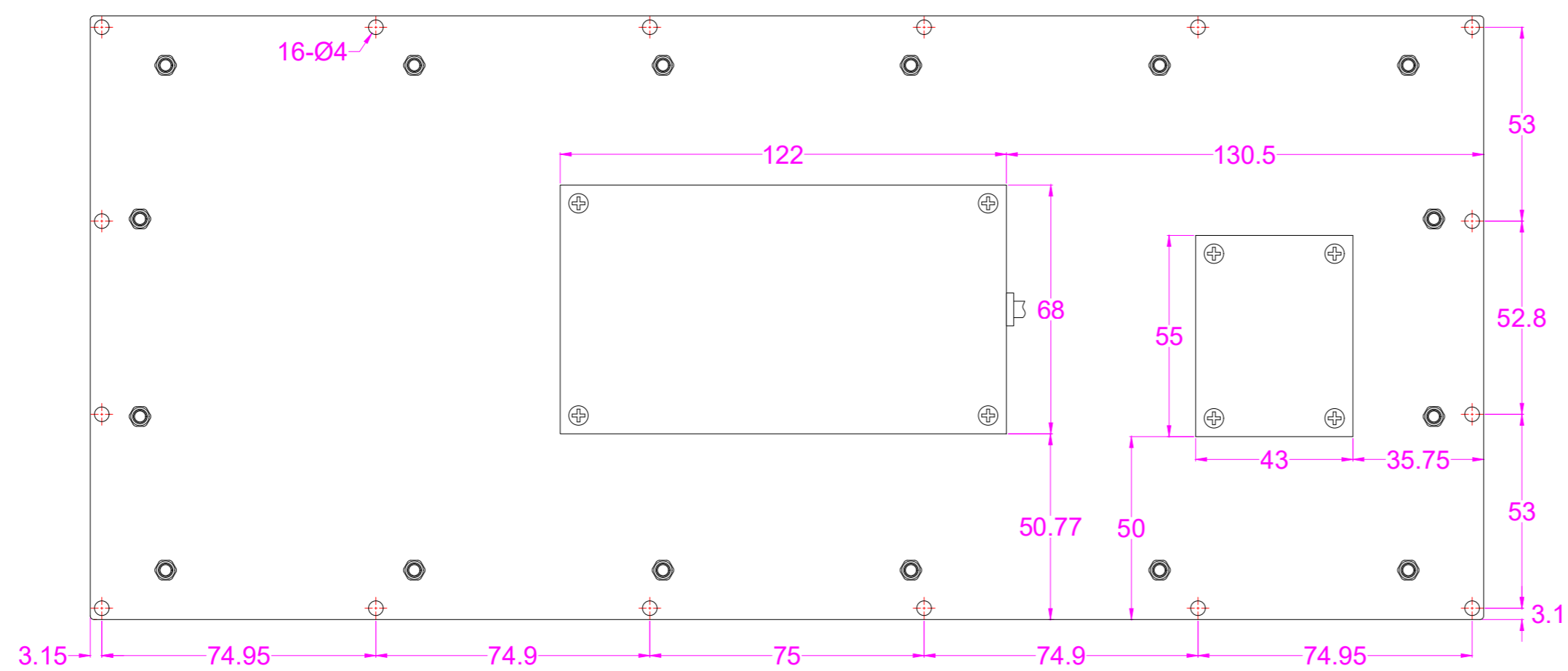
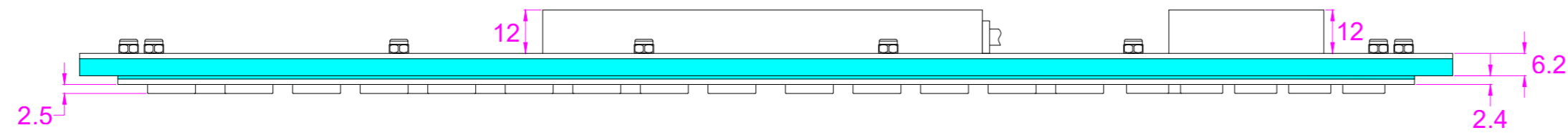
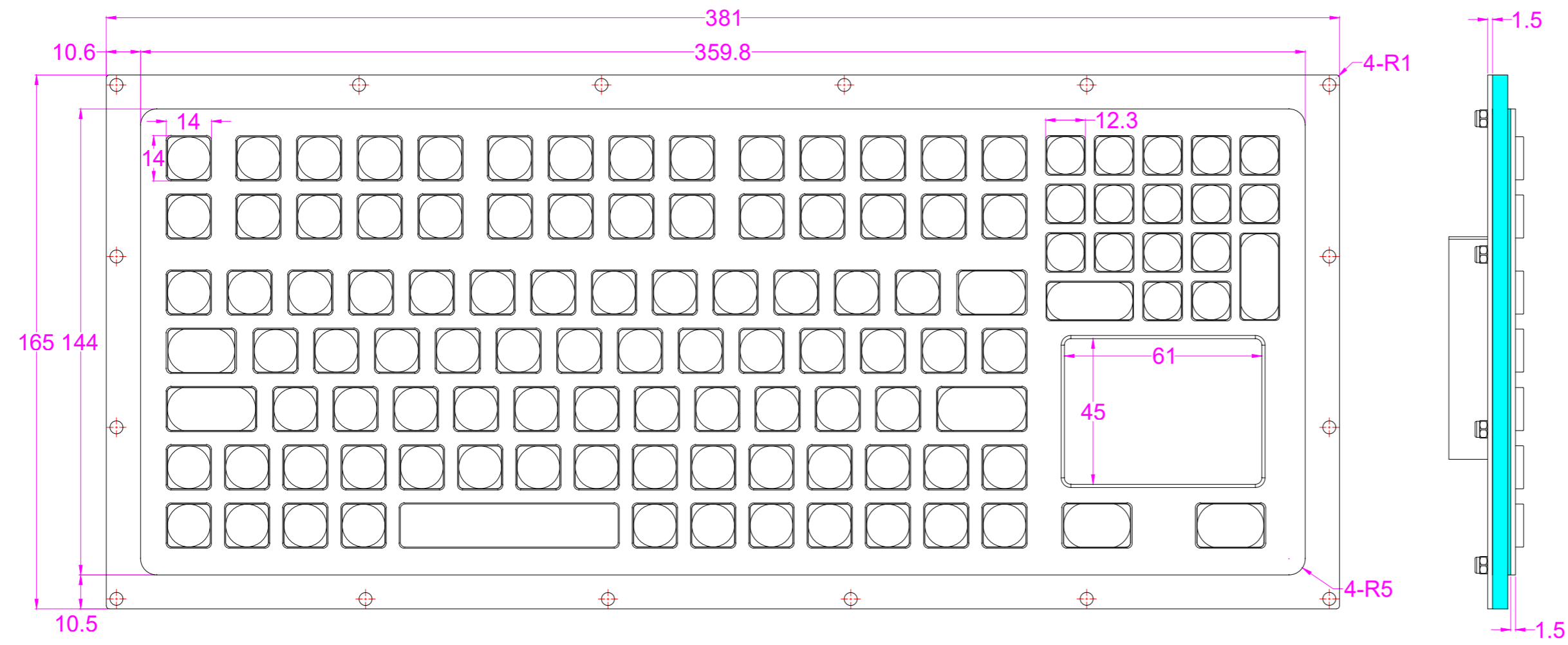


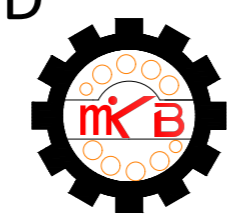
Date	Changes	REV
18.06.2019	Original	1.0



KEY TECHNOLOGY(CHINA)LIMITED

深圳市键特电子有限公司

www.key-tek.cn www.ikb-mkb.com



Part Name		Project Name	
Part No. K-TEK-M360TP-KP-FN-DWP		Project No.	
Material		Scale	1:1 Unit mm
Date	18.06.2019	Version	1.0
Designed	Chen XiaoBing	Audited	Tony Deng
		Tolerance	IT12 Sheet
		Approved	

